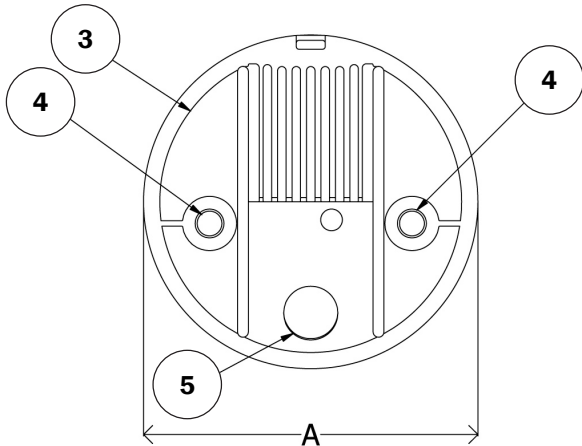


J.L. WINGERT CO.

Specification Sheet TAPERED FLAT BOTTOM TANK AND COVER MODEL PE[]-TPD-C

SS130003.B 02/17

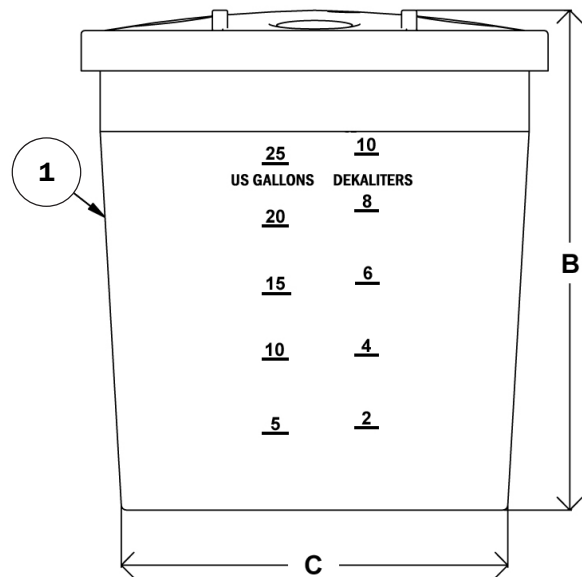
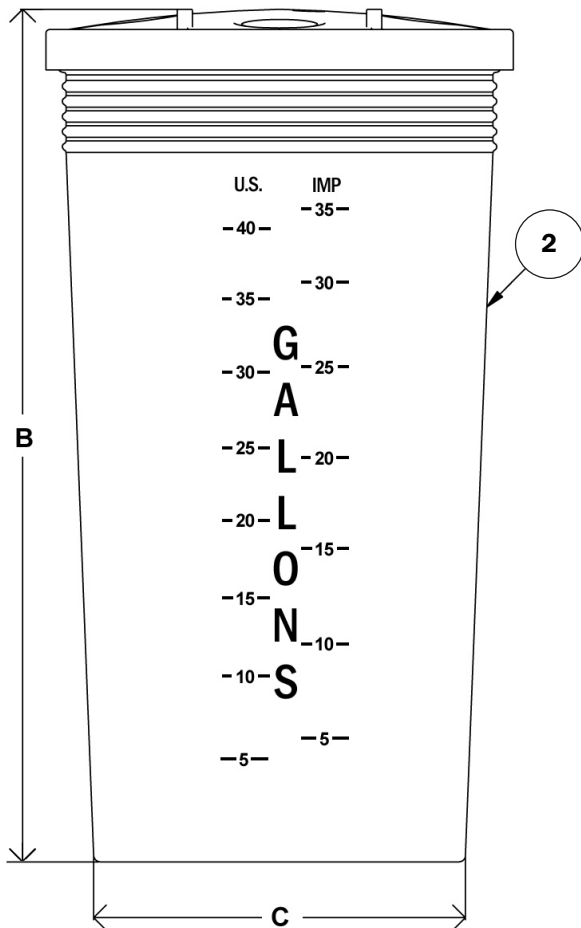


SPECIFICATIONS

KEY	DESCRIPTION
1	PE30-TPD-C: 30 gallon UV resistant molded white polyethylene tapered tank with 5 gallon graduated increments
2	PE50-TPD-C: 50 gallon UV resistant molded white polyethylene tapered tank with 5 gallon graduated increments
3	COVER: Molded black polyethylene with recesses for pump, agitator and liquid level switch (cover weight limit is 30 lbs.)
4	MOUNTING HOLES: 1 3/8" mounting holes for accessories
5	4" FILL HOLE AND PLUG

DIMENSIONS

KEY	PE30-TPD-C	PE50-TPD-C
A	23 1/4"	23 1/4"
B	24 3/4"	42 1/4"
C	19 1/4"	18 1/2"
WALL THICKNESS	3/16"	3/16"
WEIGHT	23 lbs. approx.	28 lbs. approx.



Note: All dimensions are +/- 1/8". All weights are approximate. All dimensions are subject to change without notice.

MANUFACTURING: Mixers, Bypass Feeders, Filter Feeders, Bromine Feeders, Sample Coolers, Sludge Traps, Separators, Separator Systems, Tank Stands, Tank Package Systems, Glycol Feed Systems, Coupon Racks, Control Stations, NEMA Enclosures, Custom Packaged Systems and Specialty Welding

P.O. Box 6207 | Garden Grove, CA 92846-6207 | 11800 Monarch St. | Garden Grove, CA 92841-2113 | Phone (714) 379-5519 | Fax (714) 379-5549
Northern California Region | Phone (510) 487-5310 | Southwest Region | Phone (602) 470-1015 | Email: customerservice@jllwingert.com

www.jllwingert.com