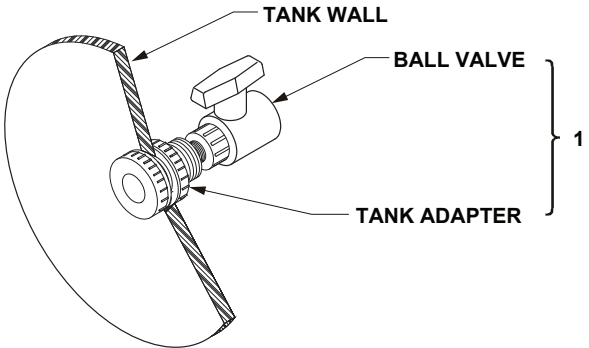


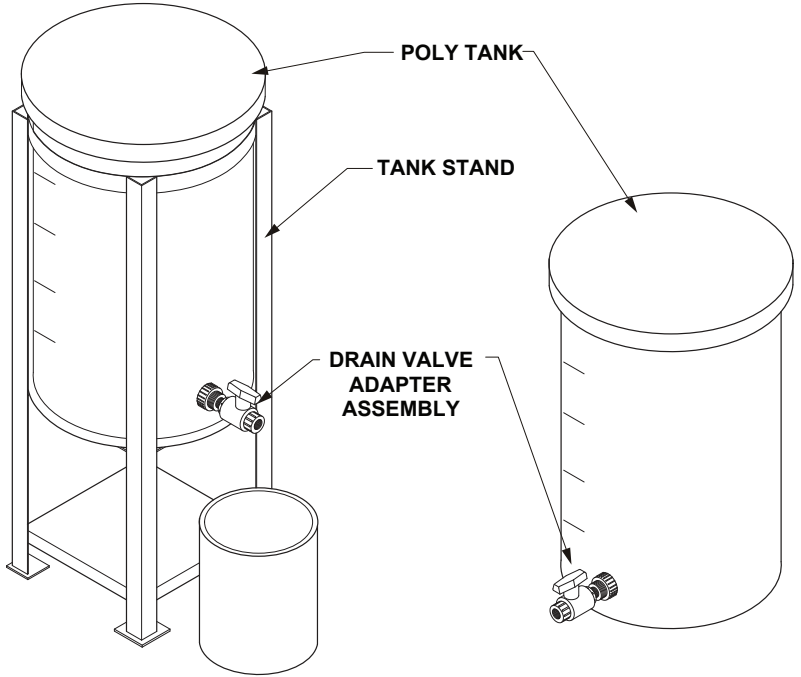
J.L. WINGERT CO.

Specification Sheet DRAIN VALVE ASSEMBLIES OPTION []

SS102203.D 02/17



TYPICAL USES



SPECIFICATIONS

KEY	PART	DESCRIPTION
1	Q	1/2" NPT PVC DRAIN VALVE ASSEMBLY: Consists of adapter constructed of gray Sch. 80 PVC with both threaded and slip connections, EPDM gasket and Sch. 80 PVC ball valve with teflon seals
	TT	3/4" NPT PVC DRAIN VALVE ASSEMBLY: Consists of adapter constructed of gray Sch. 80 PVC with both threaded and slip connections, EPDM gasket and Sch. 80 PVC ball valve with teflon seals
	PP	1" NPT PVC DRAIN VALVE ASSEMBLY: Consists of adapter constructed of gray Sch. 80 PVC with both threaded and slip connections, EPDM gasket and Sch. 80 PVC ball valve with teflon seals
	GG	1 1/2" NPT PVC DRAIN VALVE ASSEMBLY: Consists of adapter constructed of gray Sch. 80 PVC with both threaded and slip connections, EPDM gasket and Sch. 80 PVC ball valve with teflon seals
	Y	2" NPT PVC DRAIN VALVE ASSEMBLY: Consists of adapter constructed of gray Sch. 80 PVC with both threaded and slip connections, EPDM gasket and Sch. 80 PVC ball valve with teflon seals
	QQ	3" NPT PVC DRAIN VALVE ASSEMBLY: Consists of adapter constructed of gray Sch. 80 PVC with both threaded and slip connections, EPDM gasket and Sch. 80 PVC ball valve with teflon seals

Note: All dimensions are +/- 1/8". All weights are approximate. All dimensions are subject to change without notice.