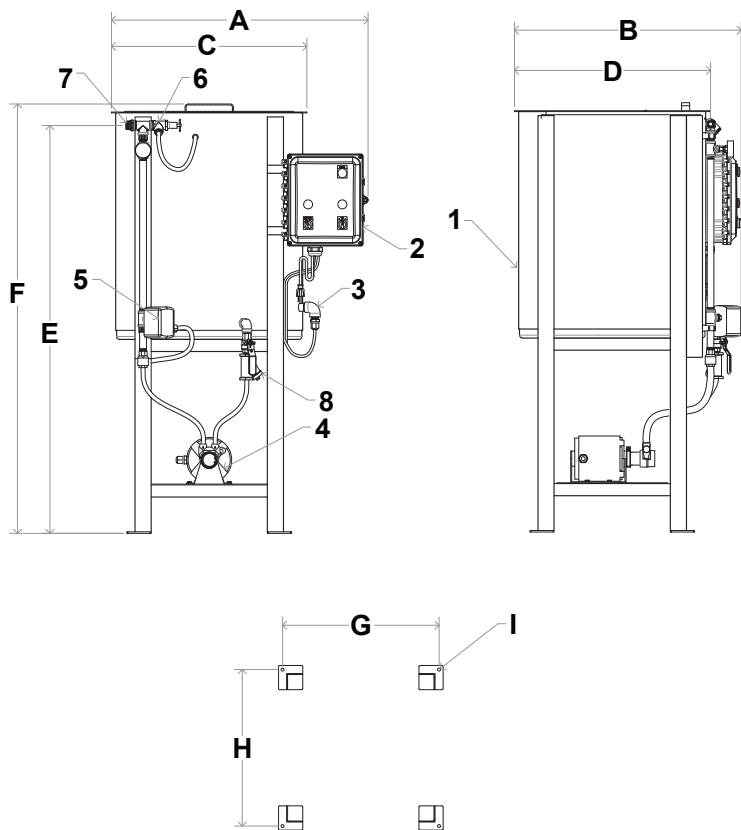


J.L. WINGERT CO.

Specification Sheet HIGH TEMPERATURE GLYCOL FEED SYSTEM GL[]-H[]-[]

SS161002.E 10/23



SPECIFICATIONS:

KEY	MODEL	DESCRIPTION
TANK/TANK STAND:		
1	GL15-H[]-[]	15 Gallon carbon steel tank with 1/3 hinged cover. Tank is supported and restrained by a carbon steel tank stand. Tank and tank stand are epoxy coated.
	GL30-H[]-[]	30 Gallon carbon steel tank with 1/3 hinged cover. Tank is supported and restrained by a carbon steel tank stand. Tank and tank stand are epoxy coated.
	GL50-H[]-[]	50 Gallon carbon steel tank with 1/3 hinged cover. Tank is support and retsained by a carbon steel tank stand. Tank and tank stand are epoxy coated.
	GL100-H[]-[]	100 Gallon carbon steel tank with 1/3 hinged cover. Tank is supported and restrained by a carbon steel tank stand. Tank and tank stand are epoxy coated.
CONTROL PANEL:		
2	ALL	NEMA 4X control panel includes the following: -8ft 115VAC power cord -Main power off-on switch and green LED indicator light -Pump H-O-A switch and green LED indicator light -Red low level LED indicator light -15 Amp slow blow fuse -115VAC Auxiliary low level output
LOW LEVEL SWITCH:		
3	ALL	Polypropylene side entry low level switch with 12 Amp relay.
PUMP:		
4	ALL	1/3HP brass rotary vane pump that provides even flow against pressure. See the Pump Curves on page 2. *Optional 1/2HP brass rotary vane pump (E2)
PRESSURE SWITCH:		
5	ALL	1/4" NPT pressure switch. See Pressure Code on page 2 for cut-in and cut-out values.
PRESSURE RELIEF VALVE:		
6	ALL	20-150 PSI brass pressure relief valve.
OUTLET:		
7	ALL	3/4" MNPT
SUCTION ASSEMBLY:		
8	ALL	Sch40 black iron fittings, brass isolation ball valve, cast iron Y-Strainer
MAXIMUM PRESSURE:		150 PSI (10.3 BAR)
MAXIMUM TEMPERATURE:		200 °F (93.3 °C)
MINIMUM AMBIENT TEMP:		-20 °F (-28.9 °C)

DIMENSIONS

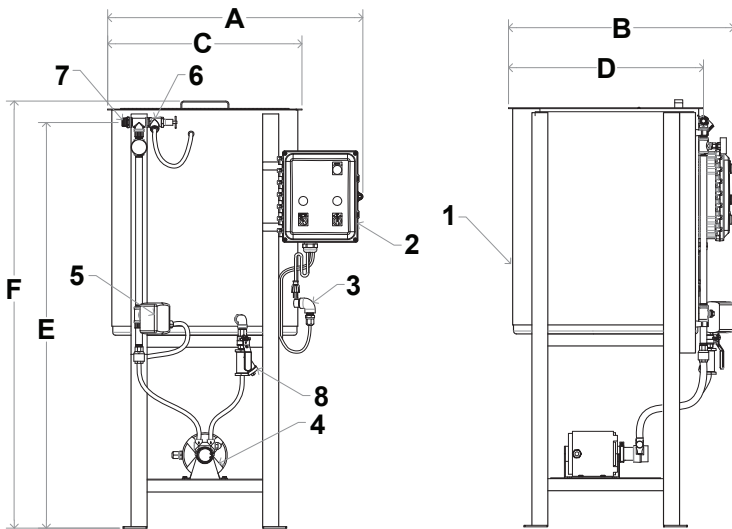
	GL15-H[]-[]	GL30-H[]-[]	GL50-H[]-[]	GL100-H[]-[]
A	25 11/16"	27 3/8"	31 7/8"	34 15/16"
B	20 7/8"	22 7/8"	28 1/8"	33 3/8"
C	17"	19"	24 1/4"	29 1/2"
D	18 3/16"	19 7/8"	24 3/8"	28 3/4"
E	41 5/8"	50 5/8"	50 5/8"	60 5/8"
F	44 5/16"	53 5/16"	53 5/16"	63 5/16"
G	14 3/8"	15 3/4"	19 7/16"	23"
H	14 3/8"	15 3/4"	19 7/16"	23"
I	3/8"	3/8"	3/8"	3/8"
APPROX. SHIPPING WEIGHT	135 lbs	175 lbs	195 lbs	245 lbs

Note: All dimensions are +/- 1/8". All weights are approximate. All dimensions are subject to change without notice.

MANUFACTURING: Mixers, Bypass Feeders, Filter Feeders, Bromine Feeders, Sample Coolers, Sludge Traps, Separators, Separator Systems, Tank Stands, Tank Package Systems, Glycol Feed Systems, Coupon Racks, Control Stations, NEMA Enclosures, Custom Packaged Systems and Specialty Welding

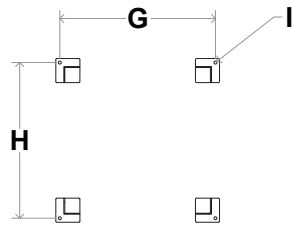
1298 N Blue Gum St | Anaheim, CA 92806 | Phone (714) 379-5519 | Fax (714) 379-5549 Northern California Region | Phone (510) 487-5310 | Southwest Region | Phone (602) 470-1015 | Email: customerservice@jllwingert.com

www.jllwingert.com



MOTOR DATA

	H1	H2
HP:	1/3	1/2
MOTOR TYPE:	Split-Phase Carbonator Pump Motor	Split-Phase Carbonator Pump Motor
ENCLOSURE:	ODP	ODP
NEMA FRAME:	48Y	48Y
VOLTAGE:	115	100-120/200-240
PHASE:	1	1
FULL LOAD AMPS:	6.5	7.1-7.3/3.4-3.6
THERMAL PROTECTION:	YES	YES
INSULATION CLASS:	B	B
SERVICE FACTOR:	1	1
NAMEPLATE RPM:	1725	1725

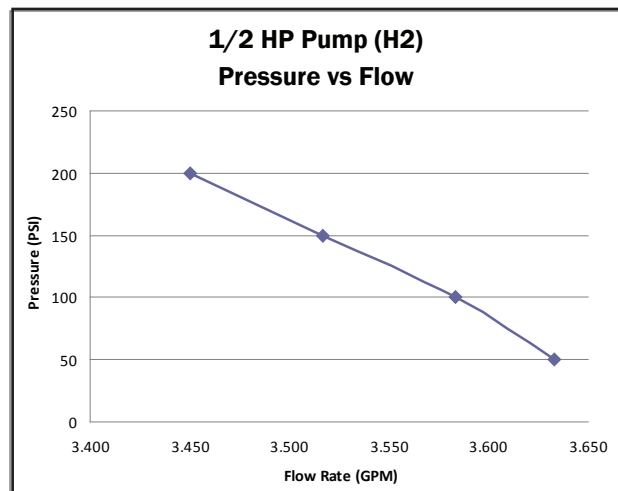
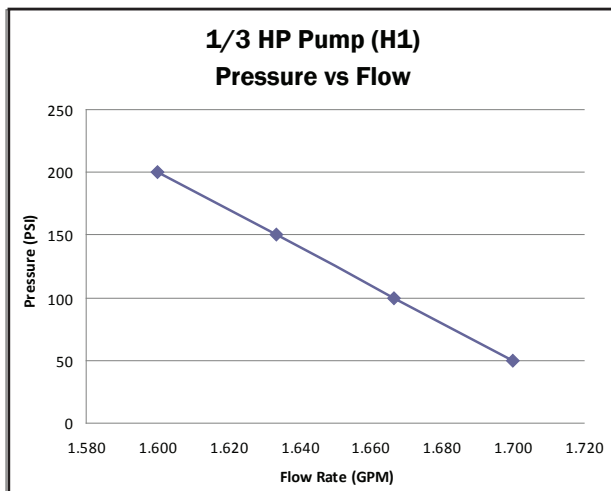


PRESSURE CODE	CUT-IN RANGE (PSI)	CUT-OUT RANGE (PSI)	PRESSURE DIFFERENTIAL (PSI)
1*	10-45	20-60	10-30
2	40-80	65-100	20-40
3	3-10	9-30	6-20
D**	0-149	1-150	1-149
X	No Pressure Switch		

*Code 1 is standard. Code 2 and Code 3 are available at no additional charge.
 **Code D is digital.

OPTIONAL FEATURES

-B	95 decibel audible alarm and silence switch
-C	Remote dry contact on low level, (PLC interface, control room alarm)
-ET	Expansion tank, 4.5 gallon with adjustable pressure reducing valve (Max. Pressure: 70 PSI)
-HC	High level float switch with remote dry contact (PLC interface)
-MXR	TEFC, tank stand mounted mixer and ON/OFF switch
-TEFC	TEFC, (Totally Enclosed Fan Cooled), pump motor
-OUTDOOR	Outdoor rated glycol feed system, (TEFC pump, solid cover)



Note: All dimensions are +/- 1/8". All weights are approximate. All dimensions are subject to change without notice.