

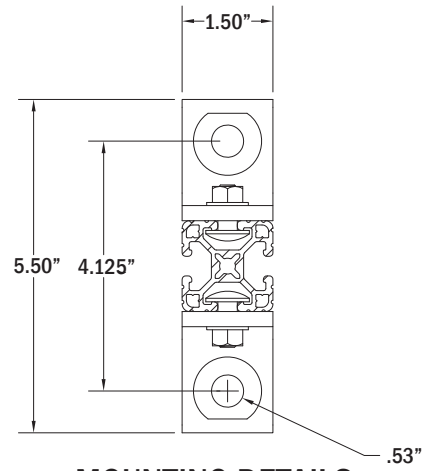
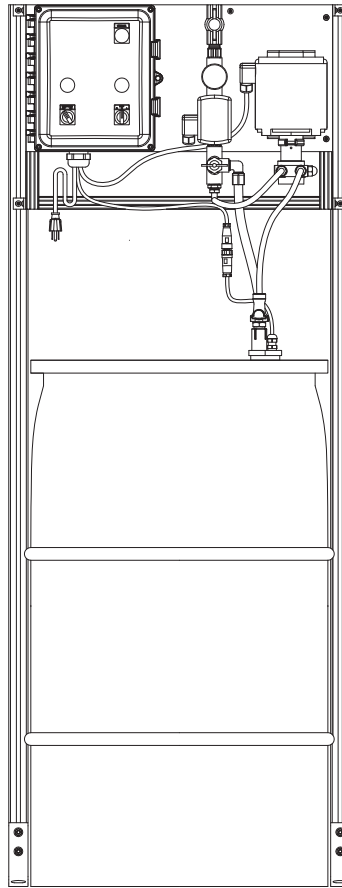
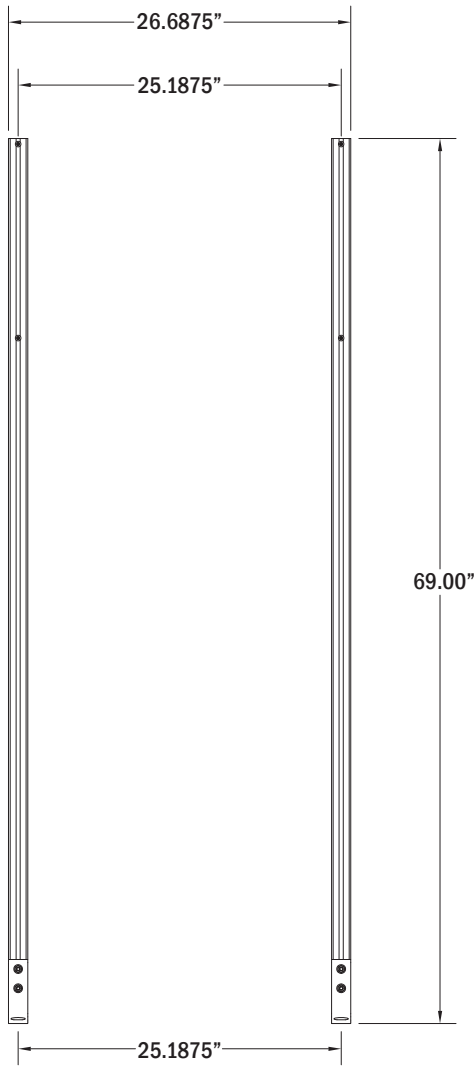
J.L. WINGERT CO.

Specification Sheet WALL MOUNT GLYCOL FEED SYSTEM FLOOR STAND MODEL WFS

SS164003.B 12/15

SPECIFICATIONS

| KEY | DESCRIPTION |
|-----------------------------|--|
| WFS | Anodized extruded aluminum channel with plated hardware and aluminum floor brackets. |
| SHIPPING DIMENSIONS: | |
| | 5"x5"x70" |
| SHIPPING WEIGHT: | |
| | 15 lbs |



**MOUNTING DETAILS
(TYP: 2)**

**Note: All dimensions are +/- 1/8". All weights are approximate. All dimensions are subject to change without notice.
The Wall Mount Glycol Feed System is shown for reference only.**