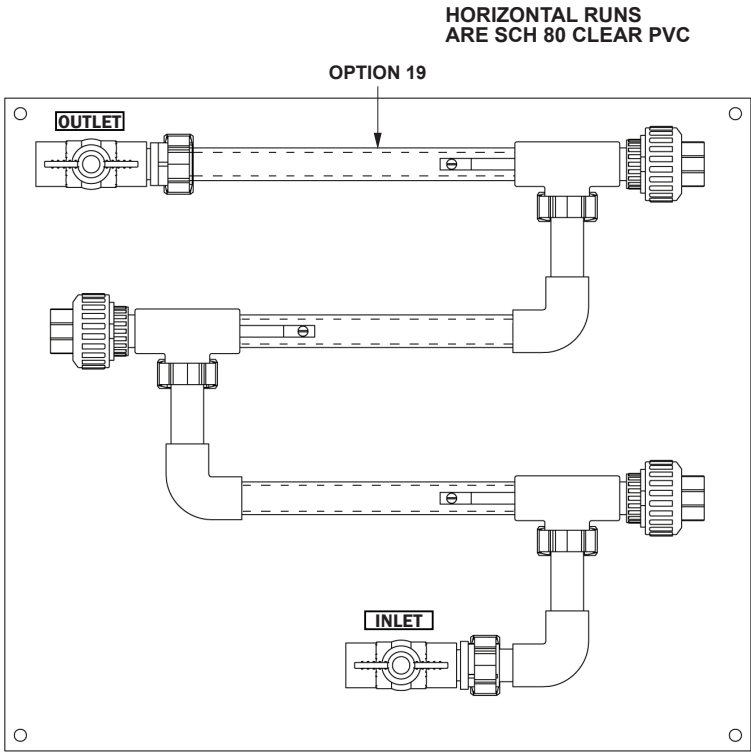


J.L. WINGERT CO.

Specification Sheet CLEAR PIPING OPTION 19

SS163519.C 11/15



EXAMPLE OF OPTION 19 INSTALLED ON PCR-3-007/19

TEMPERATURE (°F / °C)	NON-SHOCK PRESSURE RATING	
	SCH 80 CLEAR PVC	
	PSI	BAR
73° / 23°	150.0	10.4
90° / 32°	112.5	7.7
110° / 43°	75.0	5.2
130° / 54°	45.0	3.1
150° / 66°	N/A	N/A
200° / 93°	N/A	N/A
250° / 121°	N/A	N/A

WARNING:
DO NOT INSTALL CLEAR PVC PIPE IN DIRECT SUNLIGHT.

Note: All dimensions are +/- 1/8". All dimensions are subject to change without notice.
See Operation & Maintenance Manual for part numbering.