

J.L. WINGERT CO.

P.O. Box 6207 • Garden Grove, CA 92846-6207 / 11800 Monarch Street • Garden Grove, CA 92841-2113
Phone (714) 379-5519 • Fax (714) 379-5549 ■ Southwest Region • Phone (602) 470-1015
30998 Huntwood Avenue, Unit 105 • Hayward, CA 94544-7033 • Phone (510) 487-5310 • Fax (510) 487-5137
On the Internet: www.jlwingert.com • Email: customerservice@jlwingert.com

MANUFACTURING: Mixers, Bypass Feeders, Filter Feeders, Bromine Feeders, Sample Coolers, Sludge Traps, Separators, Separator Systems, Tank Stands, Tank Package Systems, Glycol Feed Systems, Coupon Racks, Control Stations, NEMA Enclosures, Custom Packaged Systems and Specialty Welding

Instruction Sheet #0322 Rev. "E" (12/02)

FILTER BAG KIT INSTRUCTION SHEET

You can use your Wingert Bypass Feeder to remove solids from the water in recirculating systems by installing a Wingert Filter Bag Kit. While your feeder is not feeding chemical into the system, place a filter bag into the feeder and allow a continual flow of system water to bypass through the feeder. The filter bag will trap solids such as welding slag, rust chips, loose scale and precipitates in the system water. When the filter bag is full, remove it and replace it with a clean new filter bag.

Filter bag kits may be ordered when ordering a new Wingert Bypass Feeder, or they may be installed in a Wingert Bypass Feeder already in service. We also carry a line of filter feeders. When installing a filter bag kit into a feeder that is already in service, the connection piping will have to be modified slightly to accommodate the tank adapter unit.

Filter bags are fabricated from filament polyester cloth. They are capable of consistently removing solids, of 30 - 50 micron or larger size, from water passing through the filter bag. Smaller particles are frequently removed, particularly when dirt loads build up in the filter bag. Suitable for temperatures up to 200° F, filter bags will withstand a pressure differential of 10 psi. The bag holder is fabricated from mild steel wire and bar stock. The tank adapter uses brass dual ferrule fittings and 304 stainless steel tubing. The pipe connection is 3/4" FNPT.

Filter bag kits are available in three sizes depending on the size of your feeder:

- Filter Bag Kit **3009**: Includes filter bag, bag holder, and tank adapter for 2 gallon feeder
- Filter Bag Kit **3010**: Includes filter bag, bag holder, and tank adapter for 5 gallon feeder
- Filter Bag Kit **3080**: Includes filter bag, bag holder, and tank adapter for 12 gallon feeder
- Filter Bags **3070**: Box of 6 replacement bags, one size fits 2, 5 & 12 gallon feeders

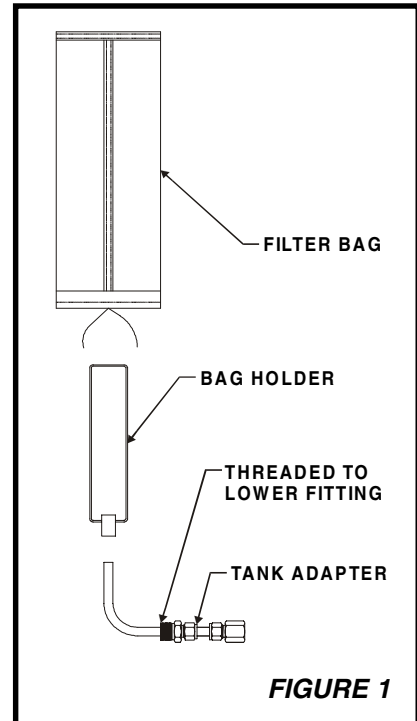


FIGURE 1

INSTALLATION INSTRUCTIONS:

Refer to **FIGURE 2**

- 1) If the Wingert Bypass Feeder is already installed, be certain that valves (D) and (E) are closed and drain valve (F) is open before starting installation. After flow stops at drain valve (F), remove feeder from system piping.
- 2) Install tank adapter fitting (B) in feeder lower 3/4" FNPT fitting. Make certain that tube (A) is POINTING STRAIGHT UP before tightening tube nut (B).
- 3) Connect system piping to tank adapter fitting (C). If the feeder is already installed, the lower connection piping will have to be shortened.
- 4) Place filter bag over filter bag holder and tie closure draw string TIGHTLY.
- 5) Lower filter bag holder gently into feeder so that the tapered bag holder opening slips over tube (A). When properly installed, the top of the filter bag will be slightly under the feeder lid and held in place when the lid is installed.
- 6) To replace filter bag, close valves (D) and (E) and open drain valve (F). Remove feeder lid slowly to make certain that all pressure has been relieved through drain valve (F).
- 7) When drain flow stops at valve (F), remove filter bag and bag holder from the feeder. Replace dirt-filled bag with a fresh new bag, following instructions 4 and 5 above.

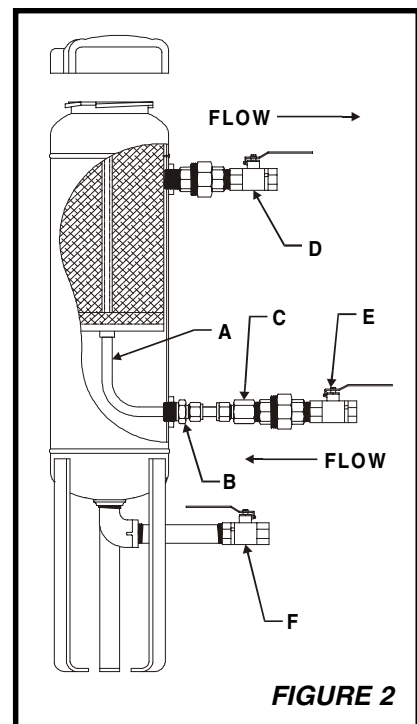


FIGURE 2