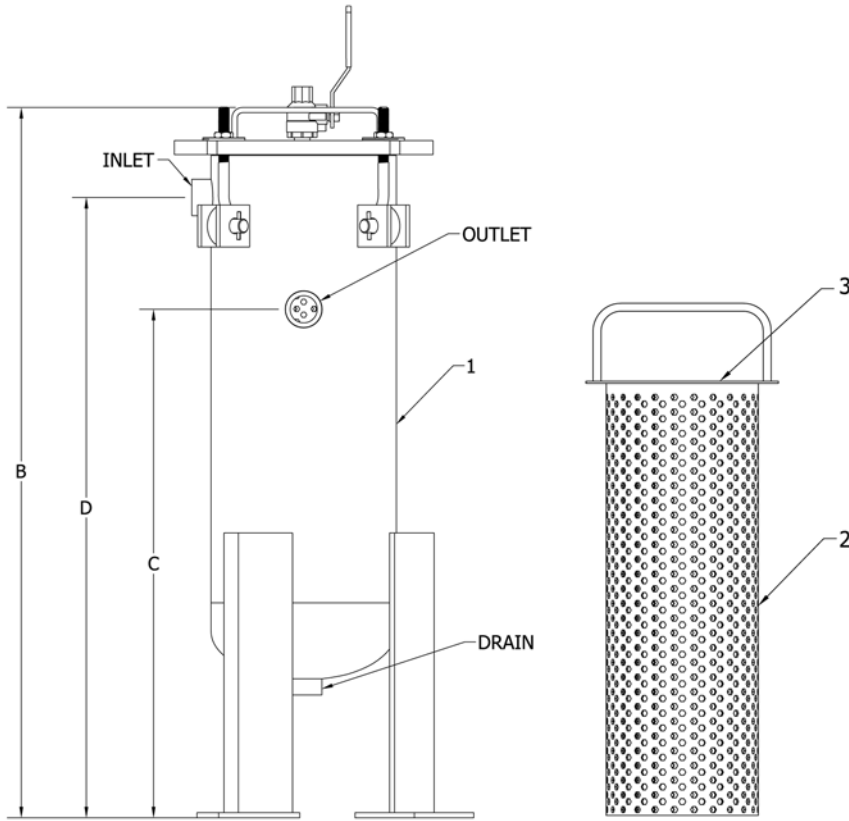


J.L. WINGERT CO.

Specification Sheet "RT" RECOVERY TANKS

SS052055.C 10/11

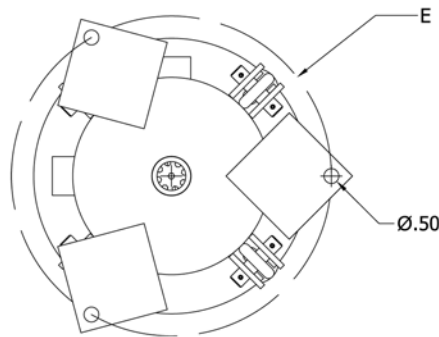
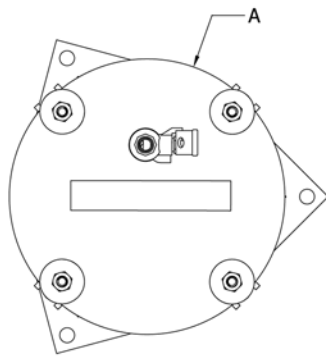


SPECIFICATIONS:

| KEY | DESCRIPTION |
|-----|---|
| 1 | TANK: Fabricated carbon steel tank lid, Buna-N o-ring, brass air release. Interior epoxy coating, external water based enamel. |
| 2 | BASKET: 316 Stainless Steel perforated basket, flange, and handle. |
| 3 | FILTER: Napped polyester 25 micron filter bag. |

REPLACEMENT FILTER BAGS:

| RECOVERY TANK | REPLACEMENT FILTER BAG |
|---------------|--|
| RT-2 | RFB-2: 25 micron filter bag for RT-2 |
| RT-5 | RFB-5: 25 micron filter bag for RT-5 |
| RT-10 | RFB-10: 25 micron filter bag for RT-10 |



| MODEL | CAPACITY (GALS /LTRS) | FILTER VOLUME | INLET | OUTLET | DRAIN | A | B | C | D | E | WEIGHT |
|-------|-----------------------|-----------------------|-------|--------|-------|---------|-----------|----------|----------|----------|----------|
| RT-2 | 2 / 7.57 | 239 in ³ | 3/4" | 3/4" | 3/4" | 9 1/4" | 25 7/16" | 18 3/16" | 22 3/16" | 10 3/4" | 55 lbs. |
| RT-5 | 5 / 18.92 | 766 in ³ | 3/4" | 3/4" | 3/4" | 13 3/4" | 26 7/16" | 19 3/16" | 23 3/16" | 15 1/16" | 108 lbs. |
| RT-10 | 10 / 37.85 | 1,178 in ³ | 3/4" | 3/4" | 3/4" | 15 1/2" | 28 15/16" | 20 1/4" | 25 5/8" | 17 1/8" | 135 lbs. |

Note: All dimensions are +/- 1/8". All weights are approximate. All dimensions are subject to change without notice.

MANUFACTURING: Mixers, Bypass Feeders, Filter Feeders, Bromine Feeders, Sample Coolers, Sludge Traps, Separators, Separator Systems, Tank Stands, Tank Package Systems, Glycol Feed Systems, Coupon Racks, Control Stations, NEMA Enclosures, Custom Packaged Systems and Specialty Welding

P.O. Box 6207 • Garden Grove, CA 92846-6207 / 11800 Monarch St. • Garden Grove, CA 92841-2113 • Phone (714) 379-5519 • Fax (714) 379-5549
Northern California Region • Phone (510) 487-5310 • Southwest Region • Phone (602) 470-1015 • Email: customerservice@jllwingert.com

www.jllwingert.com