

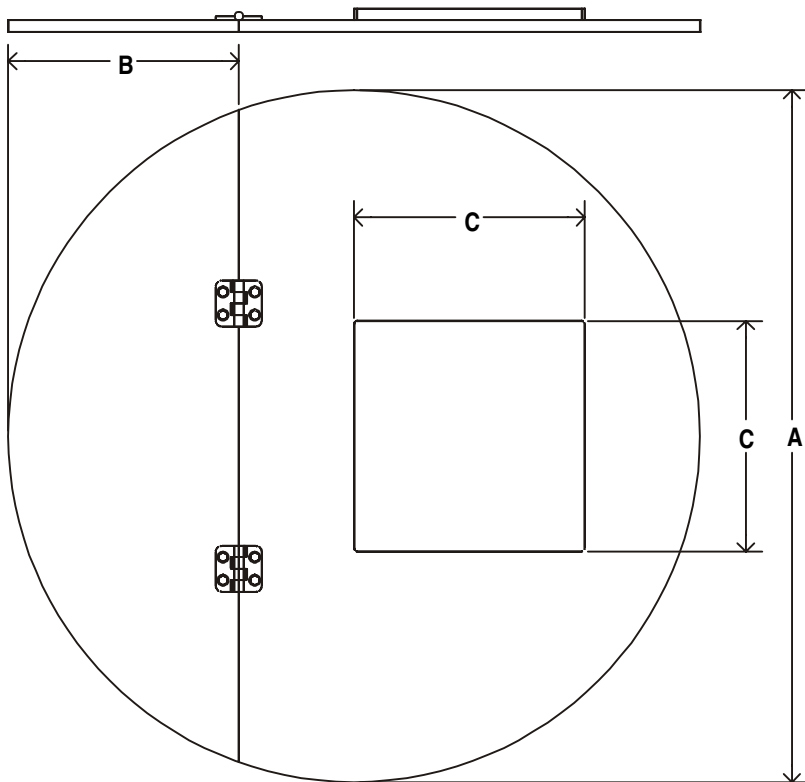
J.L. WINGERT CO.

P.O. Box 6207 • Garden Grove, CA 92846-6207 / 11800 Monarch Street • Garden Grove, CA 92841-2113
 Phone (714) 379-5519 • Fax (714) 379-5549 ■ Email: customerservice@jllwingert.com
 Northern California Region • Phone (510) 487-5310 ■ Southwest Region • Phone (602) 470-1015
 www.jllwingert.com

MANUFACTURING: Mixers, Bypass Feeders, Filter Feeders, Bromine Feeders, Sample Coolers, Sludge Traps, Separators, Separator Systems, Tank Stands,
 Tank Package Systems, Glycol Feed Systems, Coupon Racks, Control Stations, NEMA Enclosures, Custom Packaged Systems and Specialty Welding

Specification Sheet #132004 Rev. "A" (12/00)

MODEL RC_-PB-H RIGID PE HINGED COVER W/ MOUNT PAD



SPECIFICATIONS:

Polyethylene rigid covers are constructed from 1/2" thick polyethylene with polypropylene bolted hinges and equipment mounting pad.

DIMENSIONS:

MODEL	A	B	C
RC10-PB-H	15 1/2" diameter	5"	6"
RC15-PB-H	17" diameter	5 1/2"	6"
RC17-PB-H	20" diameter	6 1/2"	6"
RC30-PB-H	21" diameter	7"	8"
RC55-PB-H	25 1/2" diameter	8 1/2"	8"
RC65-PB-H	25" diameter	8 1/2"	8"
RC80-PB-H	27" diameter	9"	8"
RC100-PB-H	30" diameter	10"	10"
RC150-PB-H	34" diameter	11 1/2"	10"

Note: All dimensions are subject to change without notice.