

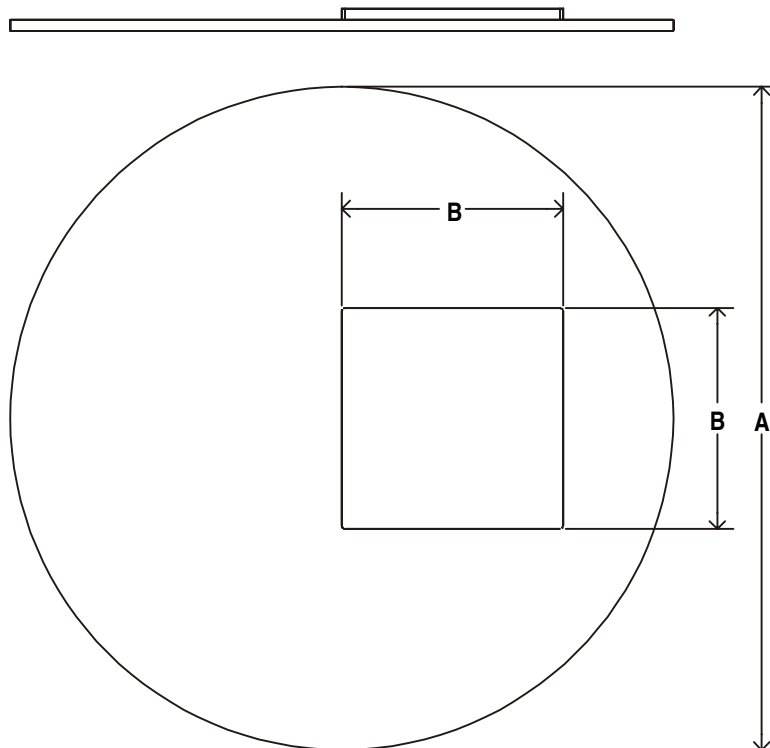
J.L. WINGERT CO.

P.O. Box 6207 • Garden Grove, CA 92846-6207 / 11800 Monarch Street • Garden Grove, CA 92841-2113
Phone (714) 379-5519 • Fax (714) 379-5549 ■ Email: customerservice@jllwingert.com
Northern California Region • Phone (510) 487-5310 ■ Southwest Region • Phone (602) 470-1015
www.jllwingert.com

MANUFACTURING: Mixers, Bypass Feeders, Filter Feeders, Bromine Feeders, Sample Coolers, Sludge Traps, Separators, Separator Systems, Tank Stands,
Tank Package Systems, Glycol Feed Systems, Coupon Racks, Control Stations, NEMA Enclosures, Custom Packaged Systems and Specialty Welding

Specification Sheet #132002 Rev. "A" (12/00)

MODEL RC_-PB RIGID PE COVER W/ MOUNT PAD



SPECIFICATIONS:

Polyethylene rigid covers are constructed from 1/2" thick polyethylene with 1/2" thick mounting pad to support equipment.

DIMENSIONS:

MODEL	A	B
RC10-PB	15 1/2" diameter	6"
RC15-PB	17" diameter	6"
RC17-PB	20" diameter	6"
RC30-PB	21" diameter	8"
RC55-PB	25 1/2" diameter	8"
RC65-PB	25" diameter	8"
RC80-PB	27" diameter	8"
RC100-PB	30" diameter	10"
RC150-PB	34" diameter	10"

Note: All dimensions are subject to change without notice.