

J.L. WINGERT CO.

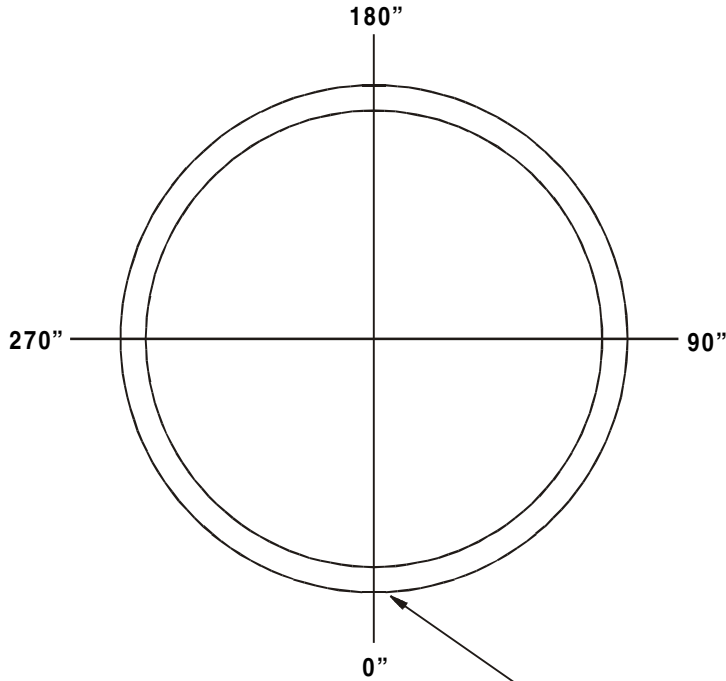
P.O. Box 6207 • Garden Grove, CA 92846-6207 / 11800 Monarch Street • Garden Grove, CA 92841-2113
Phone (714) 379-5519 • Fax (714) 379-5549 ■ Email: customerservice@jllwingert.com
Northern California Region • Phone (510) 487-5310 ■ Southwest Region • Phone (602) 470-1015
www.jllwingert.com

MANUFACTURING: Mixers, Bypass Feeders, Filter Feeders, Bromine Feeders, Sample Coolers, Sludge Traps, Separators, Separator Systems, Tank Stands,
Tank Package Systems, Glycol Feed Systems, Coupon Racks, Control Stations, NEMA Enclosures, Custom Packaged Systems and Specialty Welding

Specification Sheet #130100 Rev. "D" (11/99)

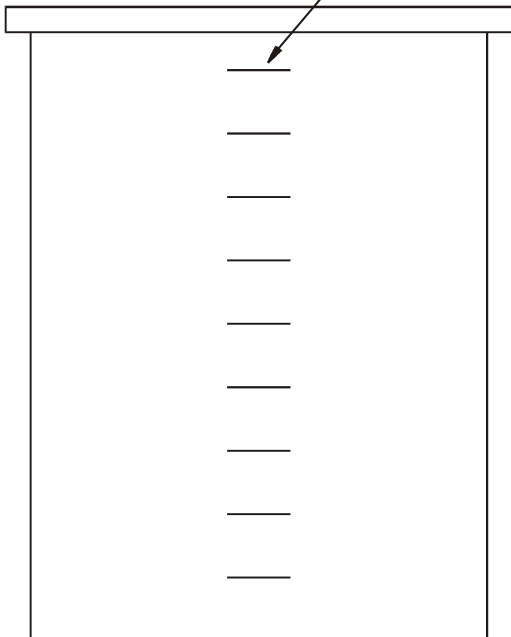
FLAT BOTTOM TANK ADAPTER LOCATION SHEET

Please mark and locate the position for process fittings that have been ordered. (don't forget to include height to center of fitting on the front view diagram)



TOP VIEW

GRADUATION MARKS



FRONT VIEW