

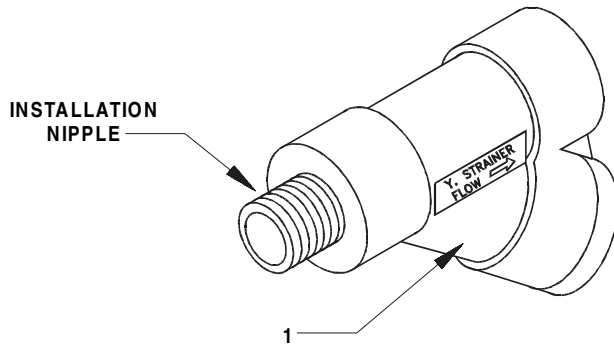
# J.L. WINGERT CO.

P.O. Box 6207 • Garden Grove, CA 92846-6207 / 11800 Monarch Street • Garden Grove, CA 92841-2113  
 Phone (714) 379-5519 • Fax (714) 379-5549 ■ Email: customerservice@jllwingert.com  
 Northern California Region • Phone (510) 487-5310 ■ Southwest Region • Phone (602) 470-1015  
 www.jllwingert.com

MANUFACTURING: Mixers, Bypass Feeders, Filter Feeders, Bromine Feeders, Sample Coolers, Sludge Traps, Separators, Separator Systems, Tank Stands,  
 Tank Package Systems, Glycol Feed Systems, Coupon Racks, Control Stations, NEMA Enclosures, Custom Packaged Systems and Specialty Welding

Specification Sheet #102206 Rev. "C" (2/00)

## Y-STRAINERS



SPECIFICATIONS:

KEY	PART	DESCRIPTION
1	O	1/2" PVC Y-STRAINER ASSEMBLY: Constructed of gray Sch. 80 PVC with a standard 1/32" perforated screen and viton o-ring seals
	DD	3/4" PVC Y-STRAINER ASSEMBLY: Constructed of gray Sch. 80 PVC with a standard 1/32" perforated screen and viton o-ring seals

### TYPICAL USE

