

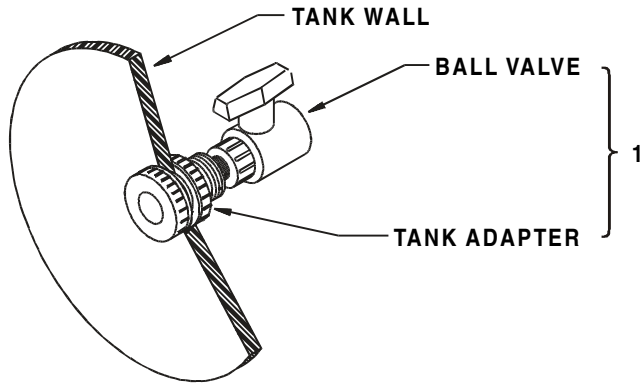
J.L. WINGERT CO.

P.O. Box 6207 • Garden Grove, CA 92846-6207 / 11800 Monarch Street • Garden Grove, CA 92841-2113
 Phone (714) 379-5519 • Fax (714) 379-5549 ■ Email: customerservice@jllwingert.com
 Northern California Region • Phone (510) 487-5310 ■ Southwest Region • Phone (602) 470-1015
 www.jllwingert.com

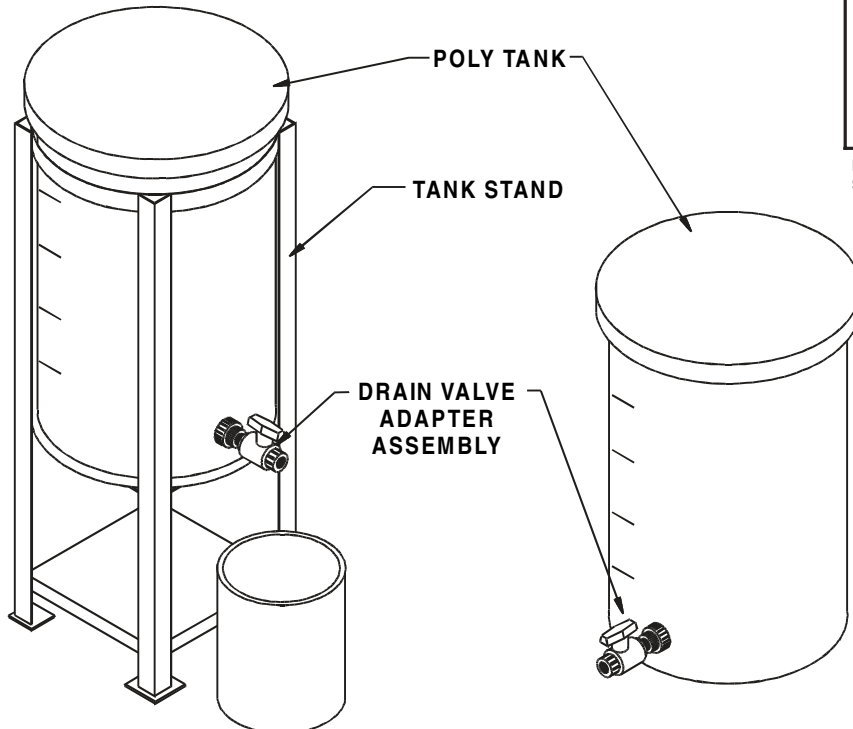
MANUFACTURING: Mixers, Bypass Feeders, Filter Feeders, Bromine Feeders, Sample Coolers, Sludge Traps, Separators, Separator Systems, Tank Stands,
 Tank Package Systems, Glycol Feed Systems, Coupon Racks, Control Stations, NEMA Enclosures, Custom Packaged Systems and Specialty Welding

Specification Sheet #102203 Rev. "C" (1/00)

DRAIN VALVE ASSEMBLIES



TYPICAL USES



SPECIFICATIONS:

KEY	PART	DESCRIPTION
1	Q	1/2" NPT PVC DRAIN VALVE ASSEMBLY: Consists of adapter constructed of gray Sch. 80 PVC with both threaded and slip connections, neoprene gasket and Sch. 80 PVC ball valve with teflon seals
	TT	3/4" NPT PVC DRAIN VALVE ASSEMBLY: Consists of adapter constructed of gray Sch. 80 PVC with both threaded and slip connections, neoprene gasket and Sch. 80 PVC ball valve with teflon seals
	PP	1" NPT PVC DRAIN VALVE ASSEMBLY: Consists of adapter constructed of gray Sch. 80 PVC with both threaded and slip connections, neoprene gasket and Sch. 80 PVC ball valve with teflon seals
	GG	1 1/2" NPT PVC DRAIN VALVE ASSEMBLY: Consists of adapter constructed of gray Sch. 80 PVC with both threaded and slip connections, neoprene gasket and Sch. 80 PVC ball valve with teflon seals
	Y	2" NPT PVC DRAIN VALVE ASSEMBLY: Consists of adapter constructed of gray Sch. 80 PVC with both threaded and slip connections, neoprene gasket and Sch. 80 PVC ball valve with teflon seals
	QQ	3" NPT PVC DRAIN VALVE ASSEMBLY: Consists of adapter constructed of gray Sch. 80 PVC with both threaded and slip connections, neoprene gasket and Sch. 80 PVC ball valve with teflon seals

NOTE: Miscellaneous connectors are constructed of Sch. 80 PVC