

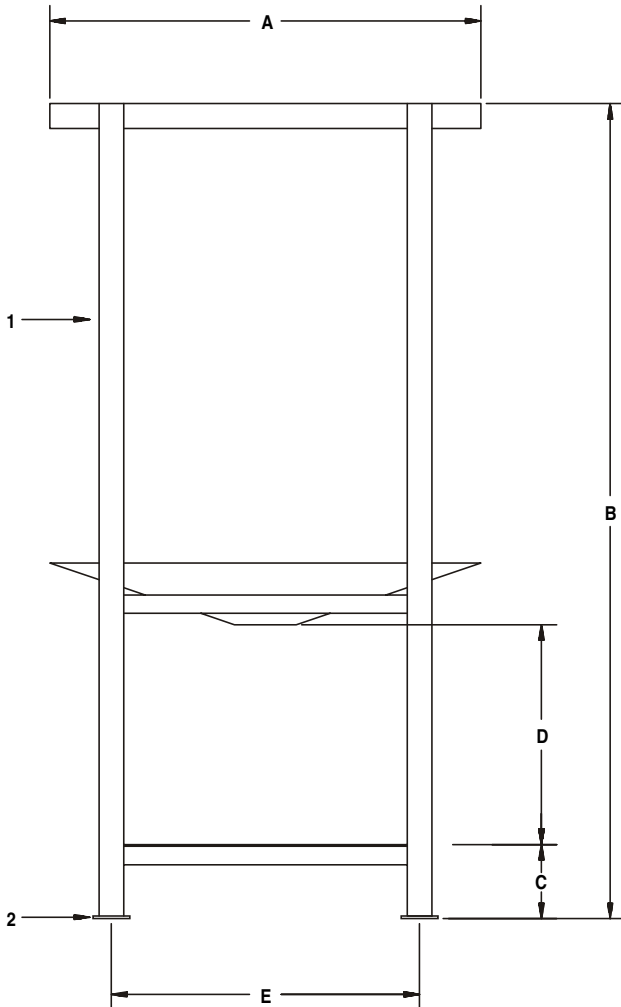
J.L. WINGERT CO.

P.O. Box 6207 • Garden Grove, CA 92846-6207 / 11800 Monarch Street • Garden Grove, CA 92841-2113
 Phone (714) 379-5519 • Fax (714) 379-5549 ■ Email: customerservice@jlwingert.com
 Northern California Region • Phone (510) 487-5310 ■ Southwest Region • Phone (602) 470-1015
 www.jlwingert.com

MANUFACTURING: Mixers, Bypass Feeders, Filter Feeders, Bromine Feeders, Sample Coolers, Sludge Traps, Separators, Separator Systems, Tank Stands,
 Tank Package Systems, Glycol Feed Systems, Coupon Racks, Control Stations, NEMA Enclosures, Custom Packaged Systems and Specialty Welding

Specification Sheet #100004 Rev. "D" (9/99)

MODEL CTS[] CONICAL TANK STAND



SPECIFICATIONS:

KEY	PART	DESCRIPTION
1	CTS[*]	TANK STAND: Constructed carbon steel and painted with water based enamel
2		FOOT PAD: Constructed of 3/16" thick steel with bolt hole pattern centered on pad

* Specify tank size (gallons)

DIMENSIONS & WEIGHT:

KEY	CTS15	CTS30	CTS55	CTS70	CTS100	CTS200	CTS250	CTS275	CTS350	CTS500
A	18"	18 1/2"	22 1/4"	24 1/4"	32 5/8"	36 1/2"	42 1/2"	43 3/4"	43 1/2"	53 3/4"
B	42 3/8"	52 3/8"	63 11/16"	63 3/8"	57 3/8"	78 3/8"	72 3/8"	71 3/8"	89 3/8"	85 15/16"
C	6 3/16"	6 3/16"	6 3/16"	6 3/16"	6 3/16"	6 3/16"	6 3/16"	6 3/16"	6 3/16"	6 3/16"
D	18"	18"	18"	18"	18"	18"	18"	18"	18"	18"
E	12 13/16"	13"	15 1/2"	17 1/4"	23 1/8"	26 1/4"	22"	31"	29 5/8"	37"
Weight	42 lbs.	48 lbs.	56 lbs.	68 lbs.	87 lbs.	94 lbs.	97 lbs.	97 lbs.	114 lbs.	135 lbs.
* -B Weight Adder	6 lbs.	8 lbs.	9 lbs.	12 lbs.	24 lbs.	34 lbs.	34 lbs.	35 lbs.	35 lbs.	35 lbs.

* Bottom Plate is not standard equipment, add "-B" when ordering

Note: All dimensions are +/- 1/8". All weights are approximate. All dimensions are subject to change without notice.