

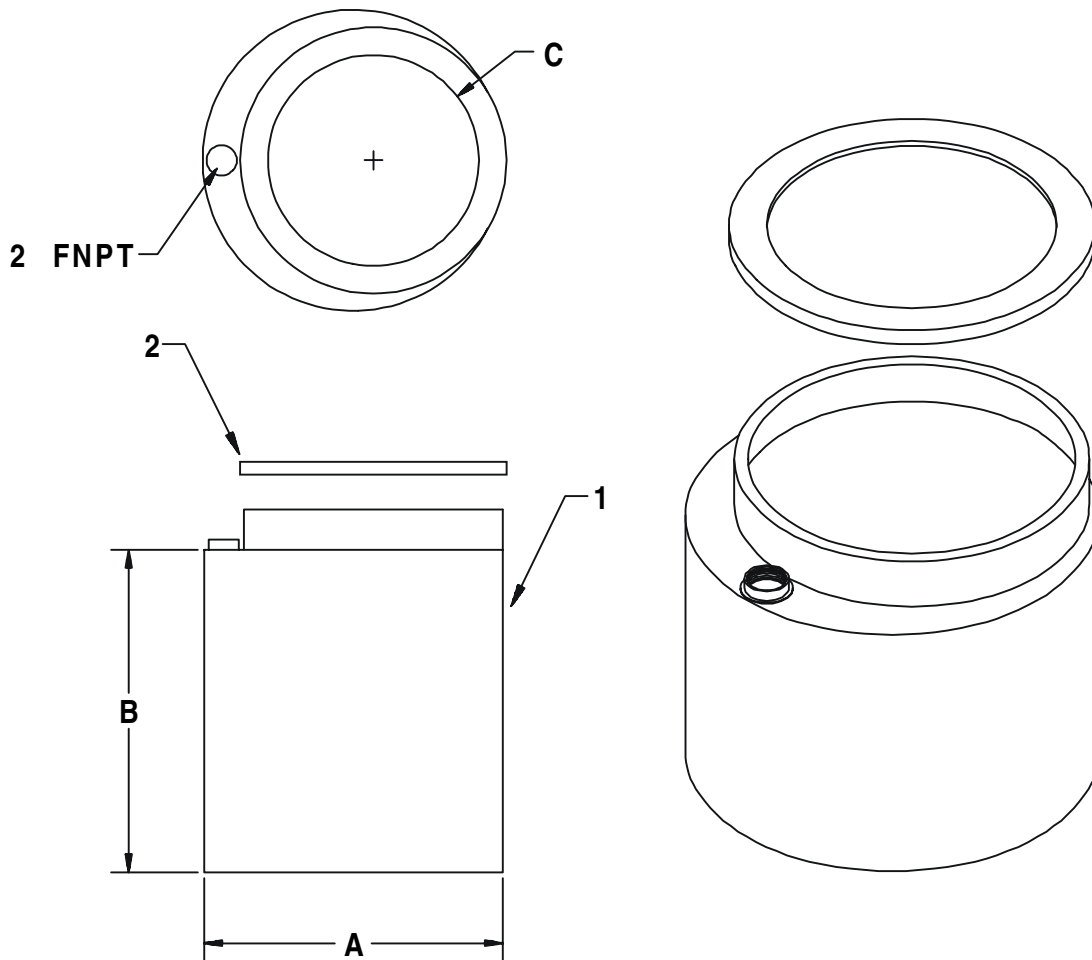
J.L. WINGERT CO.

P.O. Box 6207 • Garden Grove, CA 92846-6207 / 11800 Monarch Street • Garden Grove, CA 92841-2113
 Phone (714) 379-5519 • Fax (714) 379-5549 ■ Email: customerservice@jllwingert.com
 Northern California Region • Phone (510) 487-5310 ■ Southwest Region • Phone (602) 470-1015
 www.jllwingert.com

MANUFACTURING: Mixers, Bypass Feeders, Filter Feeders, Bromine Feeders, Sample Coolers, Sludge Traps, Separators, Separator Systems, Tank Stands, Tank Package Systems, Glycol Feed Systems, Coupon Racks, Control Stations, NEMA Enclosures, Custom Packaged Systems and Specialty Welding

Specification Sheet #072009 Rev. "A" (4/99)

50 GALLON OVERFLOW BASIN



SPECIFICATIONS:

KEY	DIMENSION
1	BASIN: Constructed of 1/8" thick yellow polyethylene with 2" FNPT level / viewing port
2	BONNET: Constructed of yellow polyethylene

DIMENSIONS:

KEY	OF-50
A	30" DIAMETER
B	21" HEIGHT
C	21" DIAMETER
CAPACITY	55 gls. (208 ltrs.)

Note: All dimensions are +/- 1/8". All weights are approximate. All dimensions are subject to change without notice.