

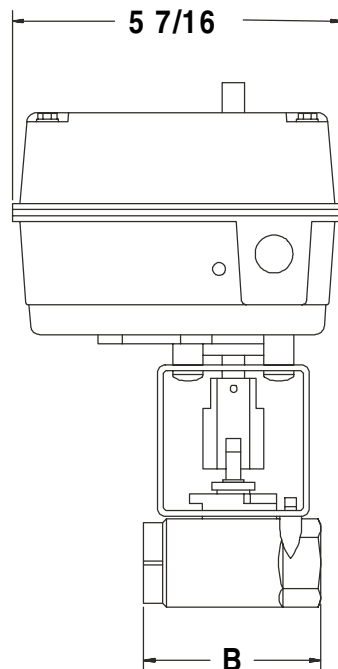
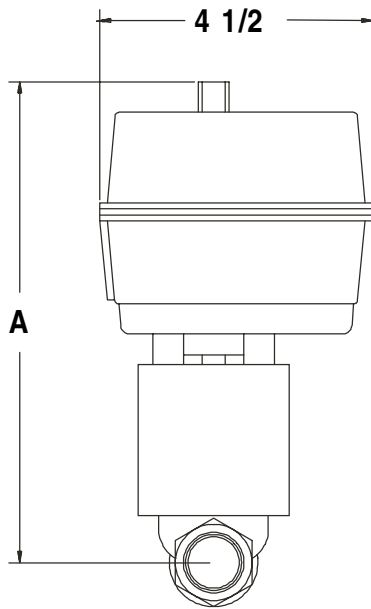
J.L. WINGERT CO.

P.O. Box 6207 • Garden Grove, CA 92846-6207 / 11800 Monarch Street • Garden Grove, CA 92841-2113
 Phone (714) 379-5519 • Fax (714) 379-5549 ■ Email: customerservice@jllwingert.com
 Northern California Region • Phone (510) 487-5310 ■ Southwest Region • Phone (602) 470-1015
 www.jllwingert.com

MANUFACTURING: Mixers, Bypass Feeders, Filter Feeders, Bromine Feeders, Sample Coolers, Sludge Traps, Separators, Separator Systems, Tank Stands,
 Tank Package Systems, Glycol Feed Systems, Coupon Racks, Control Stations, NEMA Enclosures, Custom Packaged Systems and Specialty Welding

Specification Sheet #052208 Rev. "A" (3/99)

SEPARATOR MOTORIZED BALL VALVE



MODELS:

MBV-0075	3/4" motorized ball valve
MBV-0150	1 1/2" motorized ball valve
MBV-0200	2" motorized ball valve

SPECIFICATIONS:

VALVE	Brass ball valve with stainless steel ball and stem
PRESSURE	600 PSI WOG (42 bar)
TEMPERATURE	150° F (66° C)

ACTUATOR SPECIFICATIONS:

VOLTAGE	115 VAC, 1phase, 60hertz
CYCLE	8 second
ENCLOSURE	NEMA 4

DIMENSIONS AND WEIGHTS:

KEY	MBV-0075	MBV-0150	MBV-0200
A	8"	8 3/4"	9 1/2"
B	1 1/2"	2 3/4"	3 1/8"
WEIGHT	9 lbs.	13 lbs.	14 lbs.

Note: All dimensions are +/- 1/8". All weights are approximate. All dimensions are subject to change without notice.