

J.L. WINGERT CO.

P.O. Box 6207 • Garden Grove, CA 92846-6207 / 11800 Monarch Street • Garden Grove, CA 92841-2113

Phone (714) 379-5519 • Fax (714) 379-5549 ■ Email: customerservice@jllwingert.com

Northern California Region • Phone (510) 487-5310 ■ Southwest Region • Phone (602) 470-1015

www.jllwingert.com

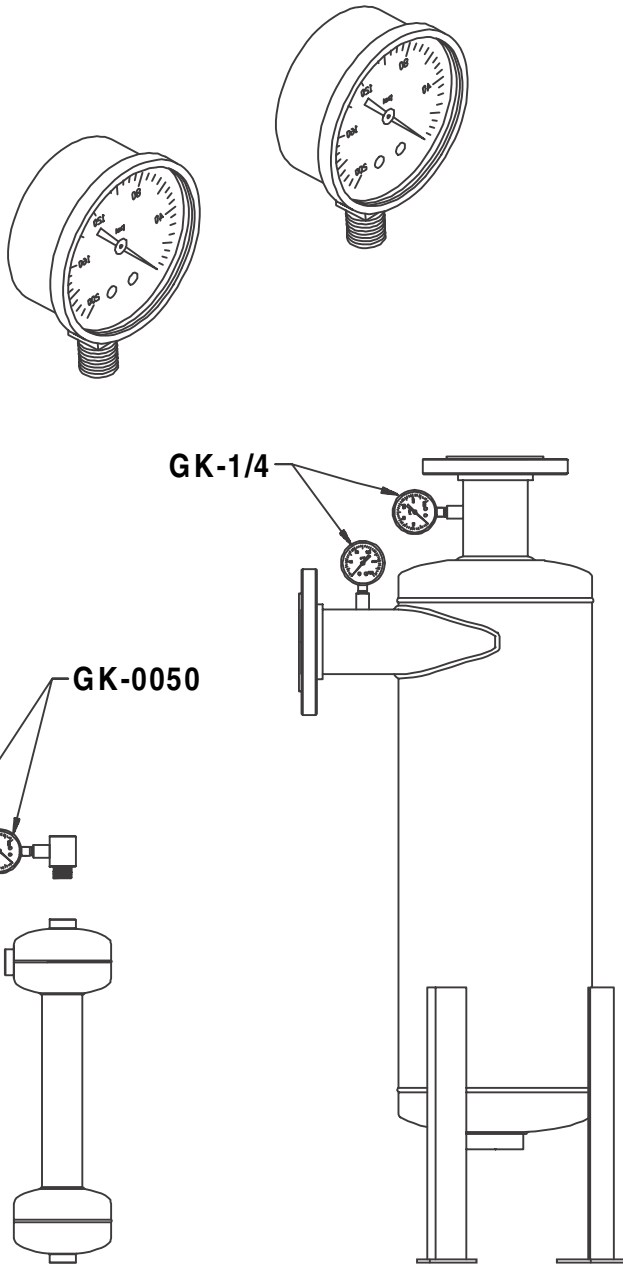
MANUFACTURING: Mixers, Bypass Feeders, Filter Feeders, Bromine Feeders, Sample Coolers, Sludge Traps, Separators, Separator Systems, Tank Stands, Tank Package Systems, Glycol Feed Systems, Coupon Racks, Control Stations, NEMA Enclosures, Custom Packaged Systems and Specialty Welding

Specification Sheet #052207 Rev. "A" (3/99)

SEPARATOR "GK" PRESSURE GAUGE KITS

SPECIFICATIONS:

Pressure gauges are constructed of stainless steel casing, polycarbonate glass and either 1/4" or 1/8" brass connectors. Standard gauges are 0-200 PSI; additional ranges are available upon request.



Note: All dimensions are +/- 1/8". All weights are approximate. All dimensions are subject to change without notice.