

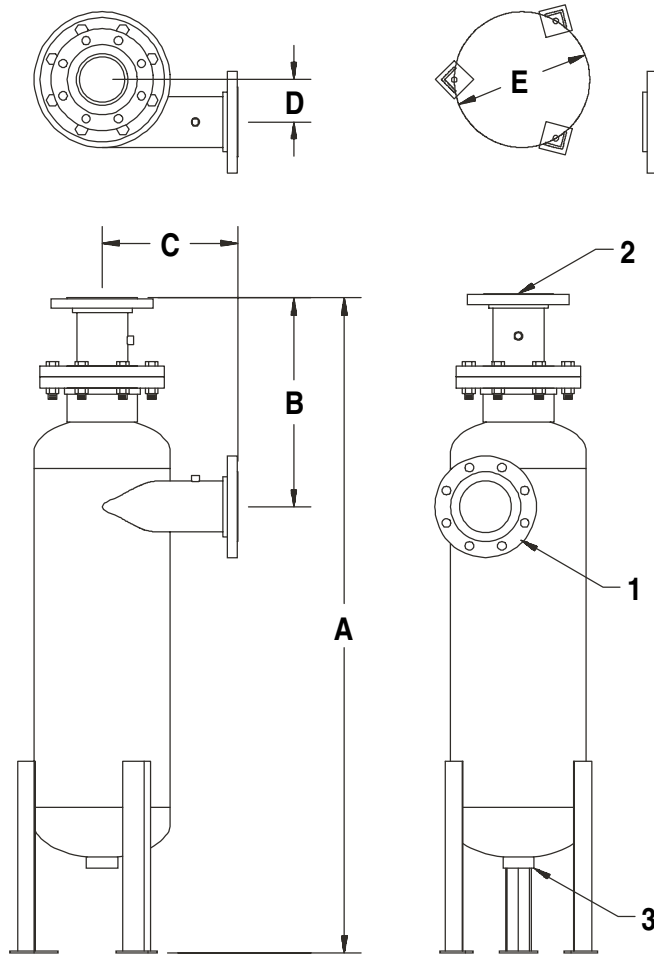
J.L. WINGERT CO.

P.O. Box 6207 • Garden Grove, CA 92846-6207 / 11800 Monarch Street • Garden Grove, CA 92841-2113
 Phone (714) 379-5519 • Fax (714) 379-5549 ■ Email: customerservice@jllwingert.com
 Northern California Region • Phone (510) 487-5310 ■ Southwest Region • Phone (602) 470-1015
 www.jllwingert.com

MANUFACTURING: Mixers, Bypass Feeders, Filter Feeders, Bromine Feeders, Sample Coolers, Sludge Traps, Separators, Separator Systems, Tank Stands,
 Tank Package Systems, Glycol Feed Systems, Coupon Racks, Control Stations, NEMA Enclosures, Custom Packaged Systems and Specialty Welding

Specification Sheet #052051 Rev. "A" (3/99)

"RFR" SERIES SEPARATORS



SPECIFICATIONS:

Body is constructed of carbon steel with ANSI 150# RF/SO flanges and painted with water based enamel. All hardware is plated steel.

FLOW RANGE:

MODEL	4 PSI DROP	12 PSI DROP
RFR-0400	352 GPM	610 GPM
RFR-0500	554 GPM	959 GPM
RFR-0600	800 GPM	1385 GPM
RFR-0800	1385 GPM	2398 GPM
RFR-1000	2183 GPM	3780 GPM
RFR-1200	2915 GPM	5049 GPM
RFR-1400	3817 GPM	6610 GPM
RFR-1600	5056 GPM	8757 GPM
RFR-1800	6469 GPM	11204 GPM
RFR-2000	8056 GPM	13953 GPM

ACCESSORIES:

PART #	DESCRIPTION	SPEC. #
GK-1/4	Inlet and outlet pressure gauge kits	052207
PK-0150	1 1/2" manual purge kit	052205
PK-0200	2" manual purge kit	052205

MODEL SHOWN: RFR-0400

DIMENSIONS, WEIGHT, PRESSURE & TEMPERATURE:

KEY	RFR-0400	RFR-0500	RFR-0600	RFR-0800	RFR-1000	RFR-1200	RFR-1400	RFR-1600	RFR-1800	RFR-2000
1	4" FLG	5" FLG	6" FLG	8" FLG	10" FLG	12" FLG	14" FLG	16" FLG	18" FLG	20" FLG
2	4" FLG	5" FLG	6" FLG	8" FLG	10" FLG	12" FLG	14" FLG	16" FLG	18" FLG	20" FLG
3	1 1/2" NPT	1 1/2" NPT	1 1/2" NPT	1 1/2" NPT	1 1/2" NPT	2" NPT	2" NPT	2" NPT	2" NPT	2" NPT
A	58"	57 9/16"	66"	75 7/8"	91 13/16"	105 1/2"	116 7/8"	131 1/2"	139 3/8"	142 1/4"
B	18 1/2"	18 1/16"	20 13/16"	22 11/16"	24 11/16"	27"	28 3/8"	30"	33 3/8"	35 3/4"
C	12"	12"	13"	15"	17"	18"	21"	21"	24"	27"
D	3 3/4"	3 3/16"	3 11/16"	4 11/16"	5 5/8"	5 5/8"	8"	7"	9"	11"
E	12 1/8"	12 1/8"	14 1/8"	18 3/16"	22"	24"	30"	30"	36 1/8"	42 1/8"
WEIGHT	220 lbs.	245 lbs.	320 lbs.	505 lbs.	755 lbs.	1074 lbs.	1631 lbs.	1942 lbs.	2499 lbs.	3036 lbs.
PRESSURE	150 PSI maximum (10.3 bar)									
TEMPERATURE	200° F (93° C)									

Note: All dimensions are +/- 1/8". All weights are approximate. All dimensions are subject to change without notice.