

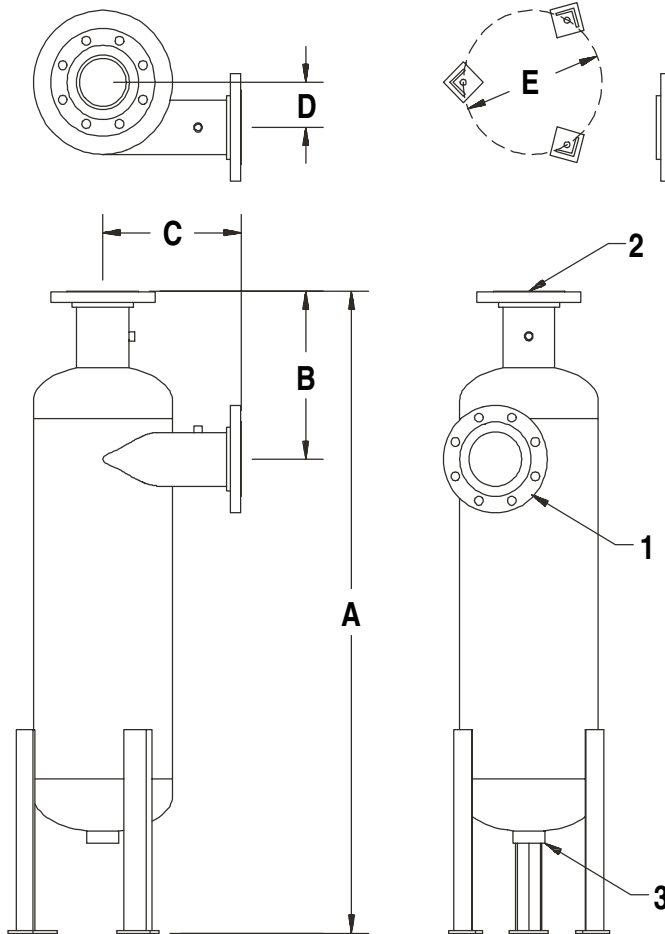
J.L. WINGERT CO.

P.O. Box 6207 • Garden Grove, CA 92846-6207 / 11800 Monarch Street • Garden Grove, CA 92841-2113
 Phone (714) 379-5519 • Fax (714) 379-5549 ■ Email: customerservice@jllwingert.com
 Northern California Region • Phone (510) 487-5310 ■ Southwest Region • Phone (602) 470-1015
 www.jllwingert.com

MANUFACTURING: Mixers, Bypass Feeders, Filter Feeders, Bromine Feeders, Sample Coolers, Sludge Traps, Separators, Separator Systems, Tank Stands, Tank Package Systems, Glycol Feed Systems, Coupon Racks, Control Stations, NEMA Enclosures, Custom Packaged Systems and Specialty Welding

Specification Sheet #052050 Rev. "A" (3/99)

"XFD" SERIES SEPARATORS



SPECIFICATIONS:

Body is constructed of carbon steel with ANSI 150# RF/SO flanges and painted with a water based enamel.

FLOW RANGE:

MODEL	4 PSI DROP	12 PSI DROP
XFD-0400	352 GPM	610 GPM
XFD-0500	554 GPM	959 GPM
XFD-0600	800 GPM	1385 GPM
XFD-0800	1385 GPM	2398 GPM
XFD-1000	2183 GPM	3780 GPM
XFD-1200	2915 GPM	5049 GPM
XFD-1400	3817 GPM	6610 GPM
XFD-1600	5056 GPM	8757 GPM
XFD-1800	6469 GPM	11204 GPM
XFD-2000	8056 GPM	13953 GPM

ACCESSORIES:

PART #	DESCRIPTION	SPEC. #
GK-1/4	Inlet and outlet pressure gauge kits	052207
PK-0150	1 1/2" manual purge kit	052205
PK-0200	2" manual purge kit	052205

MODEL SHOWN: XFD-0400

DIMENSIONS, WEIGHT, PRESSURE & TEMPERATURE

KEY	XFD-0400	XFD-0500	XFD-0600	XFD-0800	XFD-1000	XFD-1200	XFD-1400	XFD-1600	XFD-1800	XFD-2000
1	4" FLANGE	5" FLANGE	6" FLANGE	8" FLANGE	10" FLANGE	12" FLANGE	14" FLANGE	16" FLANGE	18" FLANGE	20" FLANGE
2	4" FLANGE	5" FLANGE	6" FLANGE	8" FLANGE	10" FLANGE	12" FLANGE	14" FLANGE	16" FLANGE	18" FLANGE	20" FLANGE
3	1 1/2" FNPT	1 1/2" FNPT	1 1/2" FNPT	1 1/2" FNPT	1 1/2" FNPT	2" FNPT	2" FNPT	2" FNPT	2" FNPT	2" FNPT
A	53 1/2"	53 1/2"	60 1/2"	70 1/2"	86 1/2"	100 1/2"	111 1/2"	125 1/2"	132 1/2"	135 1/2"
B	14"	14"	15 5/16"	17 5/16"	19 3/8"	22"	23"	24"	26 1/2"	29"
C	12"	12"	13"	15"	17"	18"	21"	21"	24"	27"
D	3 3/4"	3 1/4"	3 11/16"	4 11/16"	5 5/8"	5 5/8"	8"	7"	9"	11"
E	12 1/8"	12 1/8"	14 1/8"	18 3/16"	22"	24"	30"	30"	36 1/8"	42 1/8"
WEIGHT	165 lbs.	185 lbs.	232 lbs.	365 lbs.	575 lbs.	852 lbs.	1382 lbs.	1630 lbs.	2140 lbs.	2602 lbs.
PRESSURE	150 PSI maximum (10.3 bar)									
TEMPERATURE	200° F (93° C)									

Note: All dimensions are +/- 1/8". All weights are approximate. All dimensions are subject to change without notice.