

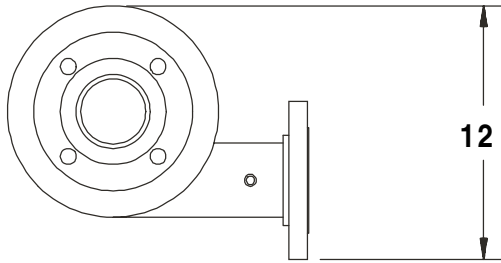
J.L. WINGERT CO.

P.O. Box 6207 • Garden Grove, CA 92846-6207 / 11800 Monarch Street • Garden Grove, CA 92841-2113
 Phone (714) 379-5519 • Fax (714) 379-5549 ■ Email: customerservice@jllwingert.com
 Northern California Region • Phone (510) 487-5310 ■ Southwest Region • Phone (602) 470-1015
 www.jllwingert.com

MANUFACTURING: Mixers, Bypass Feeders, Filter Feeders, Bromine Feeders, Sample Coolers, Sludge Traps, Separators, Separator Systems, Tank Stands,
 Tank Package Systems, Glycol Feed Systems, Coupon Racks, Control Stations, NEMA Enclosures, Custom Packaged Systems and Specialty Welding

Specification Sheet #052006 Rev. "A" (3/99)

"XFT" SERIES SEPARATORS (3")



SPECIFICATIONS:

Body is constructed of carbon steel, ANSI 150#
 RF/SO inlet and outlet flanges and painted with water
 based enamel.

FLOW RANGE:

MODEL	4 PSI DROP	12 PSI DROP
XFT-0300	205 GPM	355 GPM

ACCESSORIES:

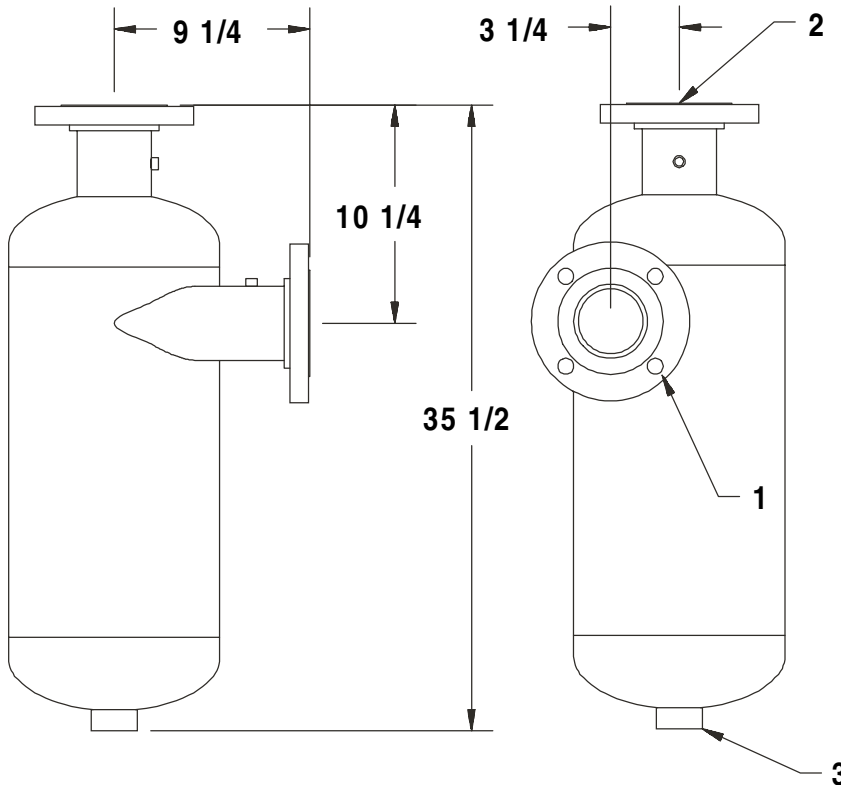
PART #	DESCRIPTION	SPEC. #
GK-1/8	Inlet and outlet pressure gauge kits	052207
PK-0150	1 1/2" manual purge kit	052205
BM-0300	Wall mount brackets	052012
RL-10	Three removable legs	052013

CONNECTIONS:

KEY	CONNECTION
1	3" flange inlet
2	3" flange outlet
3	1 1/2" FNPT drain

WEIGHT, CUBE, PRESSURE & TEMPERATURE:

WEIGHT	85 lbs. (38.6 kgs.)
CUBE	12" x 15" x 36"
PRESSURE	150 PSI (10.3 bar)
TEMPERATURE	200° F (93° C)



Note: All dimensions are +/- 1/8". All weights are approximate. All dimensions are subject to change without notice.