

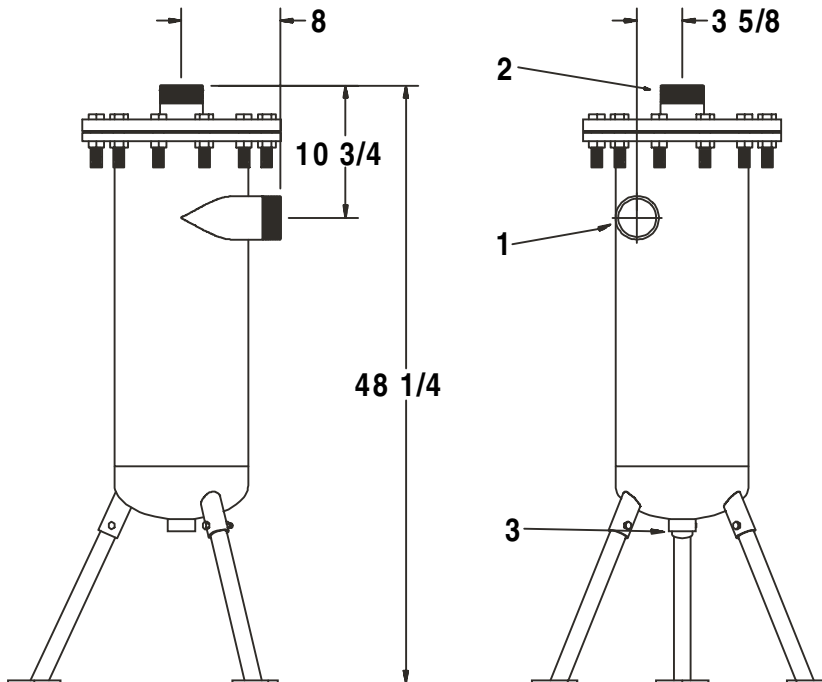
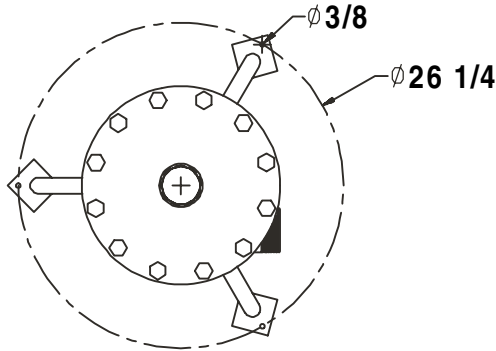
# J.L. WINGERT CO.

P.O. Box 6207 • Garden Grove, CA 92846-6207 / 11800 Monarch Street • Garden Grove, CA 92841-2113  
 Phone (714) 379-5519 • Fax (714) 379-5549 ■ Email: customerservice@jllwingert.com  
 Northern California Region • Phone (510) 487-5310 ■ Southwest Region • Phone (602) 470-1015  
 www.jllwingert.com

MANUFACTURING: Mixers, Bypass Feeders, Filter Feeders, Bromine Feeders, Sample Coolers, Sludge Traps, Separators, Separator Systems, Tank Stands, Tank Package Systems, Glycol Feed Systems, Coupon Racks, Control Stations, NEMA Enclosures, Custom Packaged Systems and Specialty Welding

Specification Sheet #052004 Rev. "A" (3/99)

## "RTE" SERIES SEPARATORS (3")



### SPECIFICATIONS:

Body is constructed of carbon steel and painted with water based enamel. All hardware is plated steel.

### FLOW RANGE:

MODEL	4 PSI DROP	12 PSI DROP
RTE-0300	205 GPM	355 GPM

### ACCESSORIES:

PART #	DESCRIPTION	SPEC. #
GK-0300	Inlet and outlet pressure gauge kits	052207
PK-0150	1 1/2" manual purge kit	052205

### CONNECTIONS:

KEY	CONNECTIONS
1	3" MNPT inlet
2	3" MNPT outlet
3	1 1/2" FNPT drain

### WEIGHT, CUBE, PRESSURE & TEMPERATURE:

WEIGHT	157 lbs. (71.3 kgs.)
CUBE	28" x 28" x 49"
PRESSURE	150 PSI (10.3 bar)
TEMPERATURE	200° F (93° C)

Note: All dimensions are +/- 1/8". All weights are approximate. All dimensions are subject to change without notice.