

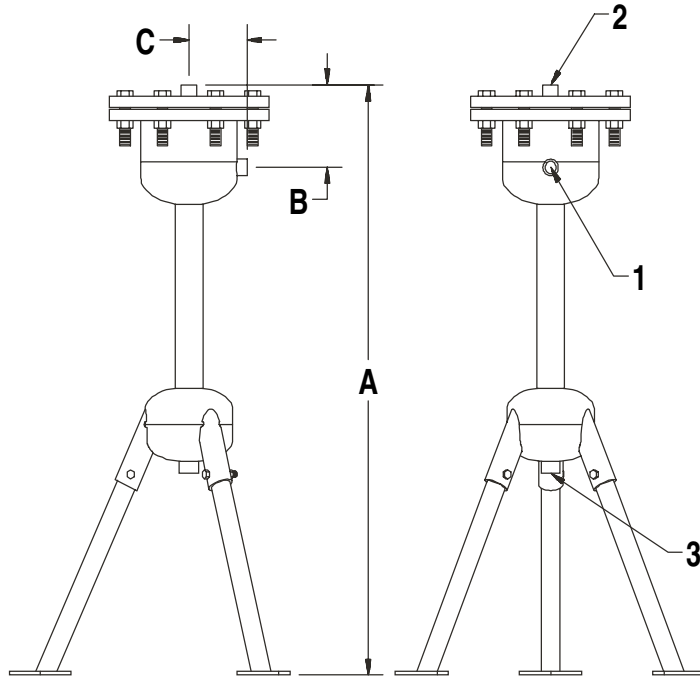
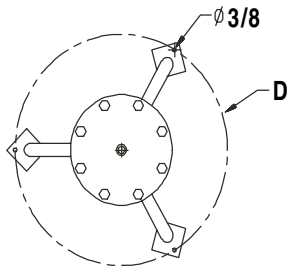
J.L. WINGERT CO.

P.O. Box 6207 • Garden Grove, CA 92846-6207 / 11800 Monarch Street • Garden Grove, CA 92841-2113
 Phone (714) 379-5519 • Fax (714) 379-5549 ■ Email: customerservice@jllwingert.com
 Northern California Region • Phone (510) 487-5310 ■ Southwest Region • Phone (602) 470-1015
 www.jllwingert.com

MANUFACTURING: Mixers, Bypass Feeders, Filter Feeders, Bromine Feeders, Sample Coolers, Sludge Traps, Separators, Separator Systems, Tank Stands, Tank Package Systems, Glycol Feed Systems, Coupon Racks, Control Stations, NEMA Enclosures, Custom Packaged Systems and Specialty Welding

Specification Sheet #052003 Rev. "A" (3/99)

"RTE" SERIES SEPARATORS (1/2" TO 2 1/2")



SPECIFICATIONS:

Body is constructed of carbon steel and painted with water based enamel. All hardware is plated steel.

FLOW RANGE:

| MODEL | 4 PSI DROP | 12 PSI DROP |
|----------|------------|-------------|
| RTE-0050 | 8 GPM | 14 GPM |
| RTE-0075 | 14 GPM | 25 GPM |
| RTE-0100 | 28 GPM | 49 GPM |
| RTE-0125 | 49 GPM | 84 GPM |
| RTE-0150 | 67 GPM | 115 GPM |
| RTE-0200 | 90 GPM | 157 GPM |
| RTE-0250 | 129 GPM | 224 GPM |

ACCESSORIES:

| PART # | DESCRIPTION | SPEC. # |
|---------|--------------------------------------|---------|
| GK-[] | Inlet and outlet pressure gauge kits | 052207 |
| PK-0075 | 3/4" manual purge kit | 052205 |
| PK-0150 | 1 1/2" manual purge kit | 052205 |

MODEL SHOWN: RTE-0050

DIMENSIONS, CUBE, WEIGHT, PRESSURE & TEMPERATURE

| KEY | RTE-0050 | RTE-0075 | RTE-0100 | RTE-0125 | RTE-0150 | RTE-0200 | RTE-0250 |
|-------------|----------------------------|-----------------|-----------------|-----------------|-----------------|-----------------|-----------------|
| 1 | 1/2" FNPT | 3/4" FNPT | 1" FNPT | 1 1/4" FNPT | 1 1/2" FNPT | 2" FNPT | 2 1/2" FNPT |
| 2 | 1/2" FNPT | 3/4" FNPT | 1" FNPT | 1 1/4" FNPT | 1 1/2" FNPT | 2" FNPT | 2 1/2" FNPT |
| 3 | 3/4" FNPT | 3/4" FNPT | 3/4" FNPT | 3/4" FNPT | 3/4" FNPT | 1 1/2" FNPT | 1 1/2" FNPT |
| A | 35 7/8" | 37 1/8" | 37 1/4" | 44 1/4" | 44 5/16" | 50" | 50 1/2" |
| B | 5 3/16" | 5 1/8" | 5 1/4" | 6 5/8" | 6 11/16" | 7 3/4" | 8 1/4" |
| C | 4" | 4" | 4" | 4 1/8" | 4 1/8" | 6" | 6 1/2" |
| D | 23" | 23" | 23" | 23 1/4" | 23 1/4" | 23" | 23" |
| CUBE | 25" X 25" X 36" | 25" X 25" X 38" | 25" X 25" X 38" | 25" X 25" X 32" | 25" X 25" X 45" | 25" X 25" X 50" | 25" X 25" X 51" |
| WEIGHT | 66 lbs. | 70 lbs. | 72 lbs. | 76 lbs. | 76 lbs. | 153 lbs. | 153 lbs. |
| PRESSURE | 150 PSI maximum (10.3 bar) | | | | | | |
| TEMPERATURE | 200° F (93° C) | | | | | | |

Note: All dimensions are +/- 1/8". All weights are approximate. All dimensions are subject to change without notice.