

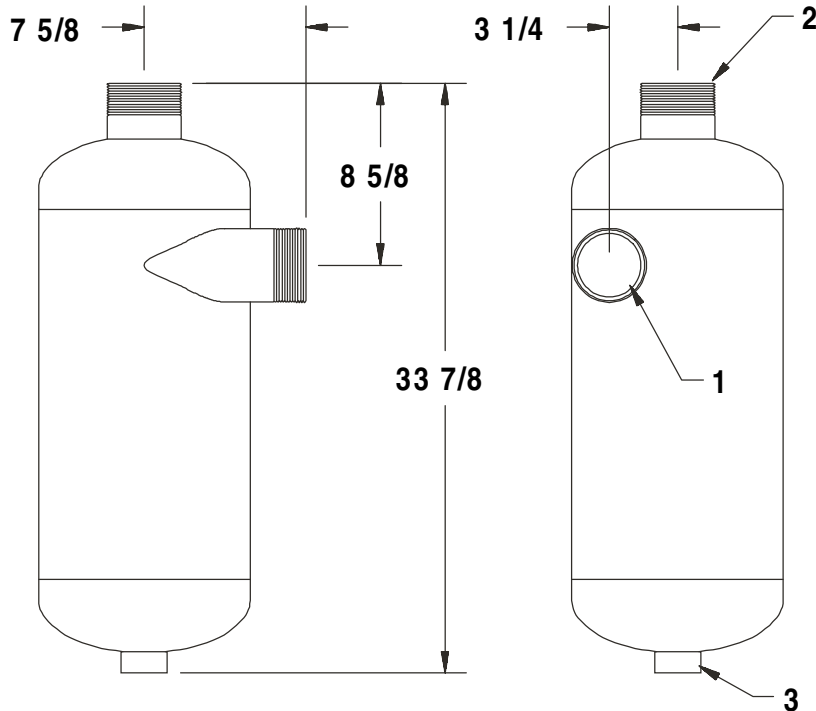
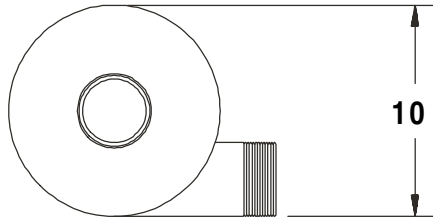
# J.L. WINGERT CO.

P.O. Box 6207 • Garden Grove, CA 92846-6207 / 11800 Monarch Street • Garden Grove, CA 92841-2113  
 Phone (714) 379-5519 • Fax (714) 379-5549 ■ Email: customerservice@jllwingert.com  
 Northern California Region • Phone (510) 487-5310 ■ Southwest Region • Phone (602) 470-1015  
 www.jllwingert.com

MANUFACTURING: Mixers, Bypass Feeders, Filter Feeders, Bromine Feeders, Sample Coolers, Sludge Traps, Separators, Separator Systems, Tank Stands, Tank Package Systems, Glycol Feed Systems, Coupon Racks, Control Stations, NEMA Enclosures, Custom Packaged Systems and Specialty Welding

Specification Sheet #052002 Rev. "A" (3/99)

## "XTI" SERIES SEPARATORS (3")



### SPECIFICATIONS:

Body is constructed of carbon steel and painted with water based enamel.

### FLOW RANGE:

MODEL	4 PSI DROP	12 PSI DROP
XTI-0300	205 GPM	355 GPM

### ACCESSORIES:

PART #	DESCRIPTION	SPEC. #
GK-0300	Inlet and outlet pressure gauge kits	052207
PK-0150	1 1/2" manual purge kit	052205
BM-0300	Wall mount brackets	052012
RL-10	Three removable legs	052013

### CONNECTIONS:

KEY	CONNECTION
1	3" MNPT inlet
2	3" MNPT outlet
3	1 1/2" FNPT drain

### WEIGHT, CUBE, PRESSURE & TEMPERATURE:

WEIGHT	46 lbs. (20.9 kgs.)
CUBE	13" x 10" x 34"
PRESSURE	150 PSI (10.3 bar)
TEMPERATURE:	200° F (93° C)

Note: All dimensions are +/- 1/8". All weights are approximate. All dimensions are subject to change without notice.