

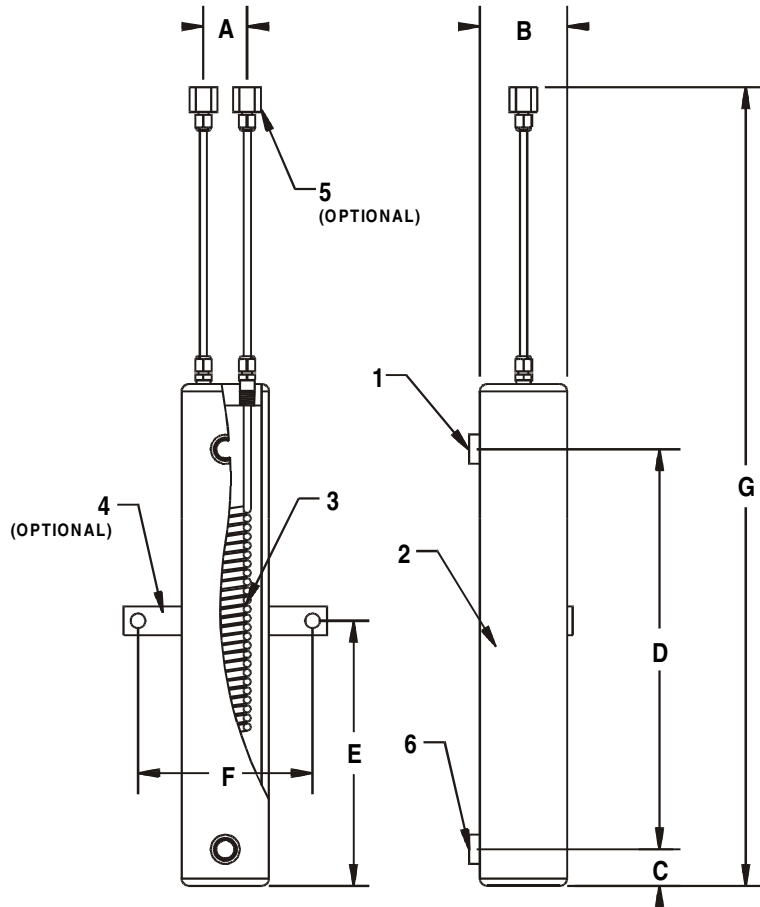
J.L. WINGERT CO.

P.O. Box 6207 • Garden Grove, CA 92846-6207 / 11800 Monarch Street • Garden Grove, CA 92841-2113
 Phone (714) 379-5519 • Fax (714) 379-5549 ■ Email: customerservice@jllwingert.com
 Northern California Region • Phone (510) 487-5310 ■ Southwest Region • Phone (602) 470-1015
 www.jllwingert.com

MANUFACTURING: Mixers, Bypass Feeders, Filter Feeders, Bromine Feeders, Sample Coolers, Sludge Traps, Separators, Separator Systems, Tank Stands,
 Tank Package Systems, Glycol Feed Systems, Coupon Racks, Control Stations, NEMA Enclosures, Custom Packaged Systems and Specialty Welding

Specification Sheet #042003 Rev. "D" (12/99)

MODEL SC-2-B-COP / SC-2-B-COP/MB



SPECIFICATIONS:

KEY	PART	DESCRIPTION
1		COOLING WATER INLET: 1/2" FNPT
2		BODY: Sch. 40 steel pipe and C1215 end plugs
3		COIL: 1/4" x 20ft. copper coil
4	MB	MOUNTING BRACKET: Optional mild steel mounting bracket welded to shell (SC-2-B-COP/MB model only)
5	1029	FITTINGS: 1/4" FNPT brass connection fittings (standard on SC-2-B-COP model)
6		COOLING WATER OUTLET: 1/2" FNPT

OPERATING PARAMETERS:	SAMPLE LIQUID	COOLING WATER
Maximum Temperature	400° F (204° C)	250° F (120° C)
Maximum Pressure	300 PSI	200 PSI

DIMENSIONS, WEIGHT & CUBE:

KEY	SC-1-B-COP	SC-2-B-COP/MB
A	1 1/2"	1 1/2"
B	3"	3"
C	1 3/8"	1 3/8"
D	13 3/4"	13 3/4"
E	N/A	7 1/4"
F	N/A	5 1/2"
G	28"	28"
Weight	16 lbs. approx.	16 lbs. approx.
Cube	5" x 5" x 27"	5" x 5" x 28"

Note: All dimensions are +/- 1/8". All weights are approximate. All dimensions are subject to change without notice.