

J.L. WINGERT CO.

P.O. Box 6207 • Garden Grove, CA 92846-6207 / 11800 Monarch Street • Garden Grove, CA 92841-2113
 Phone (714) 379-5519 • Fax (714) 379-5549 ■ Email: customerservice@jllwingert.com
 Northern California Region • Phone (510) 487-5310 ■ Southwest Region • Phone (602) 470-1015
 www.jllwingert.com

MANUFACTURING: Mixers, Bypass Feeders, Filter Feeders, Bromine Feeders, Sample Coolers, Sludge Traps, Separators, Separator Systems, Tank Stands,
 Tank Package Systems, Glycol Feed Systems, Coupon Racks, Control Stations, NEMA Enclosures, Custom Packaged Systems and Specialty Welding

Specification Sheet #032228 Rev. "A" (4/99)

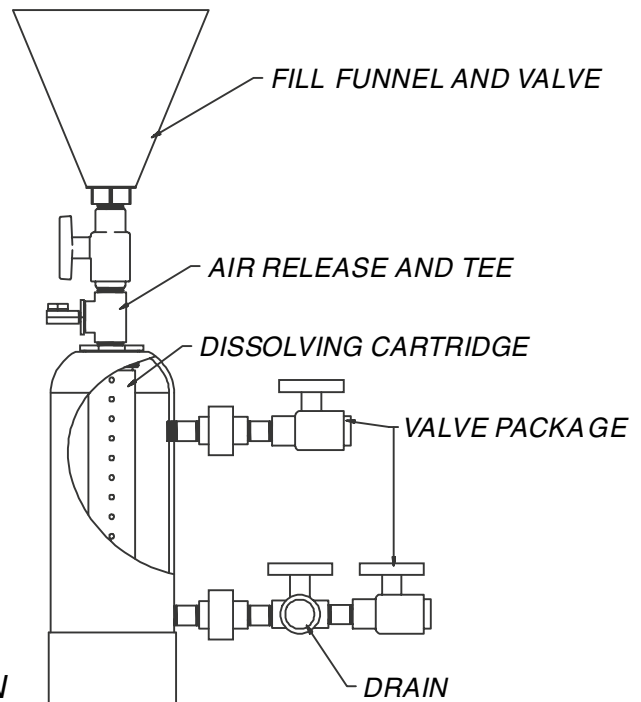
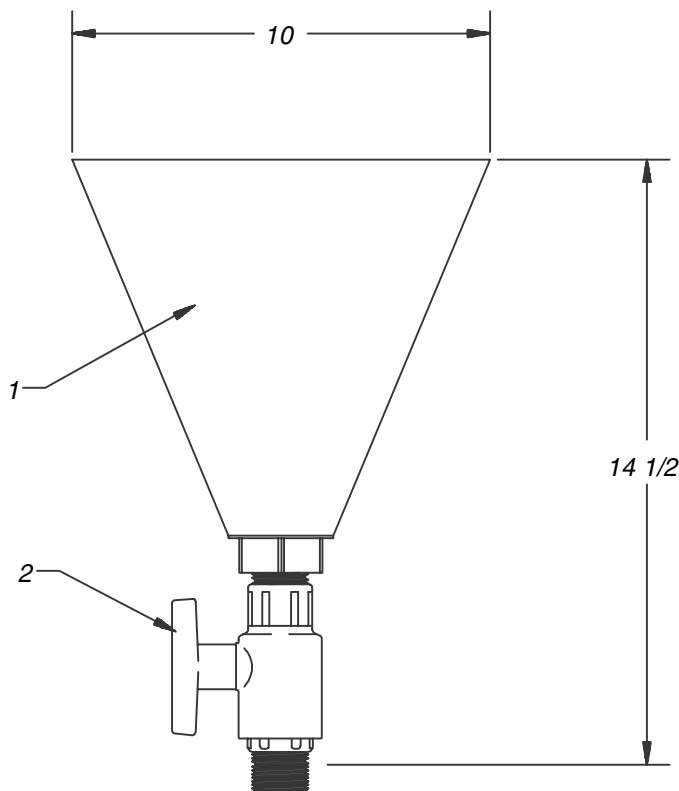
PVC / PE FILL FUNNEL

MODEL NUMBER 2

320

PARTS, MATERIALS AND SPECIFICATIONS:

KEY	DESCRIPTION	SPECIFICATION
1	Funnel	Polyethylene funnel
2	Fill Valve Assembly	1" PVC Sch. 80 valve and nipples Teflon ball valve seals
MAX. PRESSURE		150 PSI (10.4 BAR)
MAX. TEMPERATURE		120° F (66° C)



TYPICAL INSTALLATION

Note: All dimensions are +/- 1/8". All weights are approximate. All dimensions are subject to change without notice.