

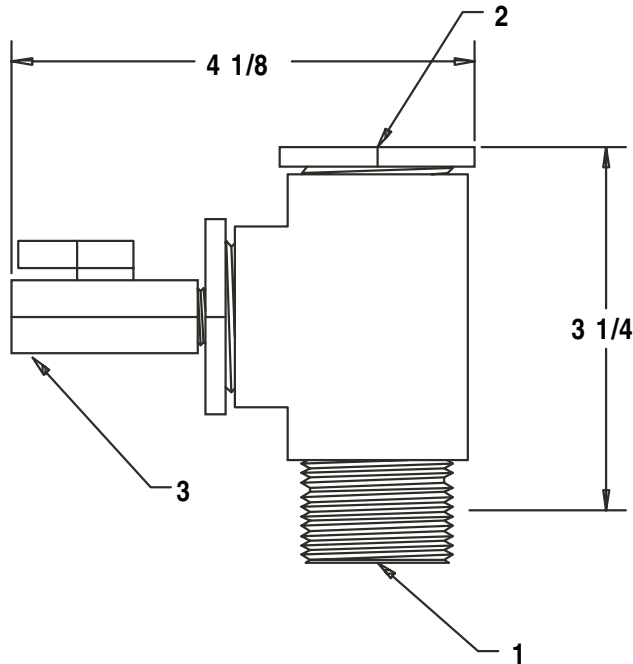
# J.L. WINGERT CO.

P.O. Box 6207 • Garden Grove, CA 92846-6207 / 11800 Monarch Street • Garden Grove, CA 92841-2113  
 Phone (714) 379-5519 • Fax (714) 379-5549 ■ Email: customerservice@jllwingert.com  
 Northern California Region • Phone (510) 487-5310 ■ Southwest Region • Phone (602) 470-1015  
 www.jllwingert.com

**MANUFACTURING:** Mixers, Bypass Feeders, Filter Feeders, Bromine Feeders, Sample Coolers, Sludge Traps, Separators, Separator Systems, Tank Stands, Tank Package Systems, Glycol Feed Systems, Coupon Racks, Control Stations, NEMA Enclosures, Custom Packaged Systems and Specialty Welding

Specification Sheet #032226 Rev. "A" (4/99)

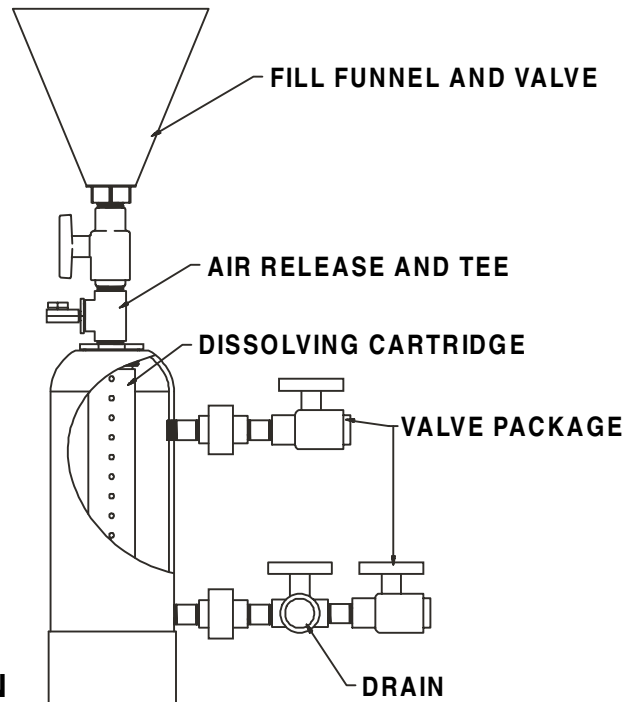
## PVC AIR RELEASE



MODEL NUMBER	- ARPVC
--------------	---------

### PARTS, MATERIALS AND SPECIFICATIONS:

KEY	SPECIFICATIONS
<b>MATERIALS</b>	PVC Sch. 80 tee, nipple, valve, plug and reducer Teflon ball valve seals
1	<b>OUTLET TO FEEDER LID:</b> 1" MNPT
2	<b>CAP:</b> 1" FNPT (to optional fill funnel)
3	<b>PRESSURE RELIEF:</b> 1/4" FNPT
<b>MAX. PRESSURE</b>	150 PSI (10.4 BAR)
<b>MAX. TEMPERATURE</b>	120° F (66° C)



### TYPICAL INSTALLATION

Note: All dimensions are +/- 1/8". All weights are approximate. All dimensions are subject to change without notice.