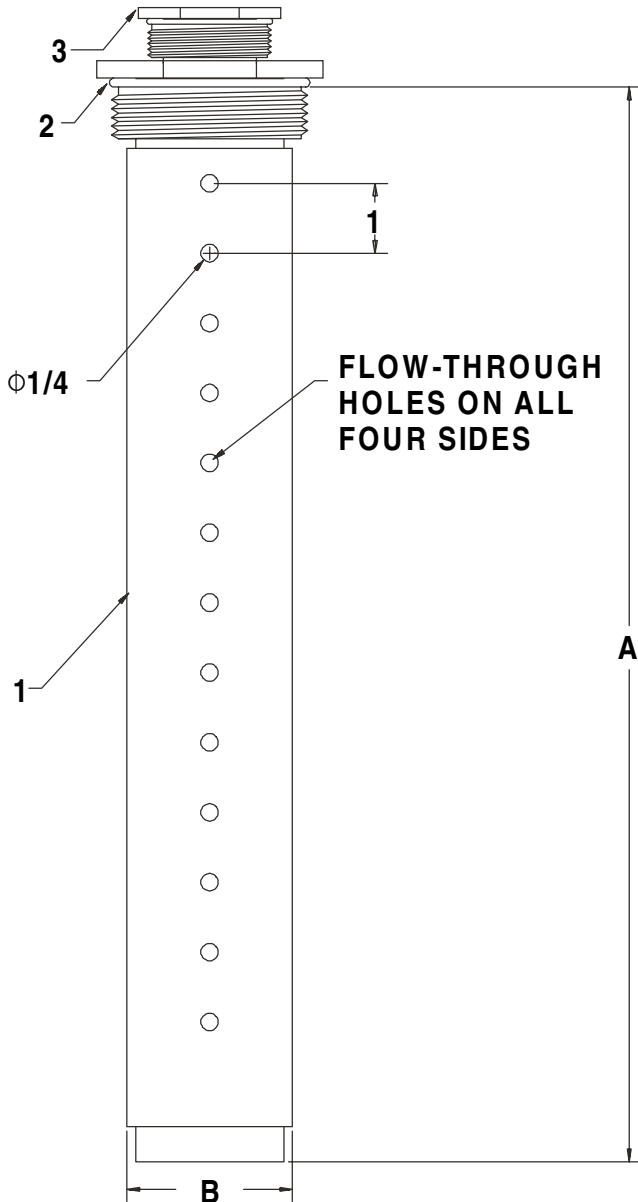


# J.L. WINGERT CO.

P.O. Box 6207 • Garden Grove, CA 92846-6207 / 11800 Monarch Street • Garden Grove, CA 92841-2113  
 Phone (714) 379-5519 • Fax (714) 379-5549 ■ Email: customerservice@jllwingert.com  
 Northern California Region • Phone (510) 487-5310 ■ Southwest Region • Phone (602) 470-1015  
 www.jllwingert.com

MANUFACTURING: Mixers, Bypass Feeders, Filter Feeders, Bromine Feeders, Sample Coolers, Sludge Traps, Separators, Separator Systems, Tank Stands,  
 Tank Package Systems, Glycol Feed Systems, Coupon Racks, Control Stations, NEMA Enclosures, Custom Packaged Systems and Specialty Welding  
**Specification Sheet #032225 Rev. "B" (4/03)**

## SOLIDS DISSOLVING CHAMBERS



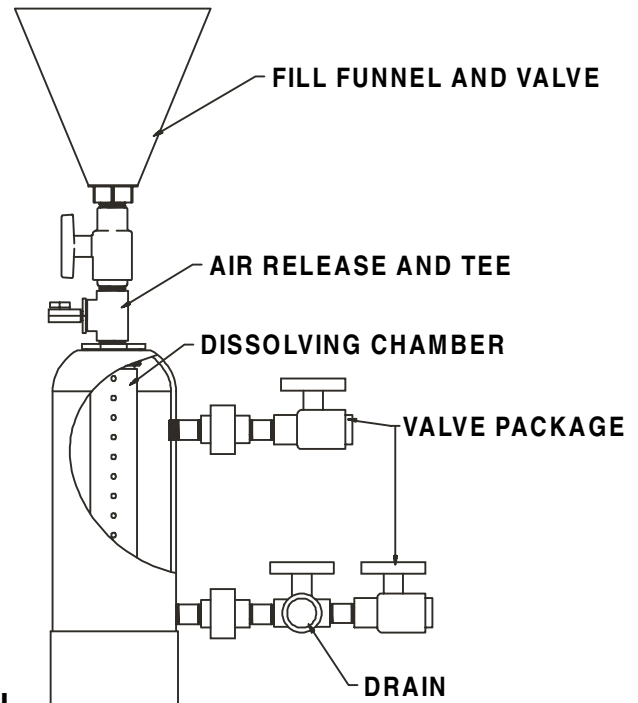
### PARTS, MATERIALS AND SPECIFICATIONS:

KEY	PART	SPECIFICATIONS
1	3203	CHAMBER: 2 1/2" CPVC solids dissolving chamber for 2 gallon feeders (O-ring included)
	3204	CHAMBER: 4" CPVC solids dissolving chamber for 5, 12 & 16 gallon feeders (O-ring included)
2		O-RING: EPDM
3		FILL: 1" FNPT
MAX. PRESSURE		150 PSI (10.4 BAR)
MAX. TEMPERATURE		120° F (66° C)

NOTE: Solids dissolving chamber is designed for granular pellets only.

### DIMENSIONS:

KEY	3203	3204
A	15 3/8"	15 3/8"
B	2 3/8"	3 1/2"
VOLUME	41 C.I.	97 C.I.



**TYPICAL INSTALLATION**

Note: All dimensions are +/- 1/8". All weights are approximate. All dimensions are subject to change without notice.