

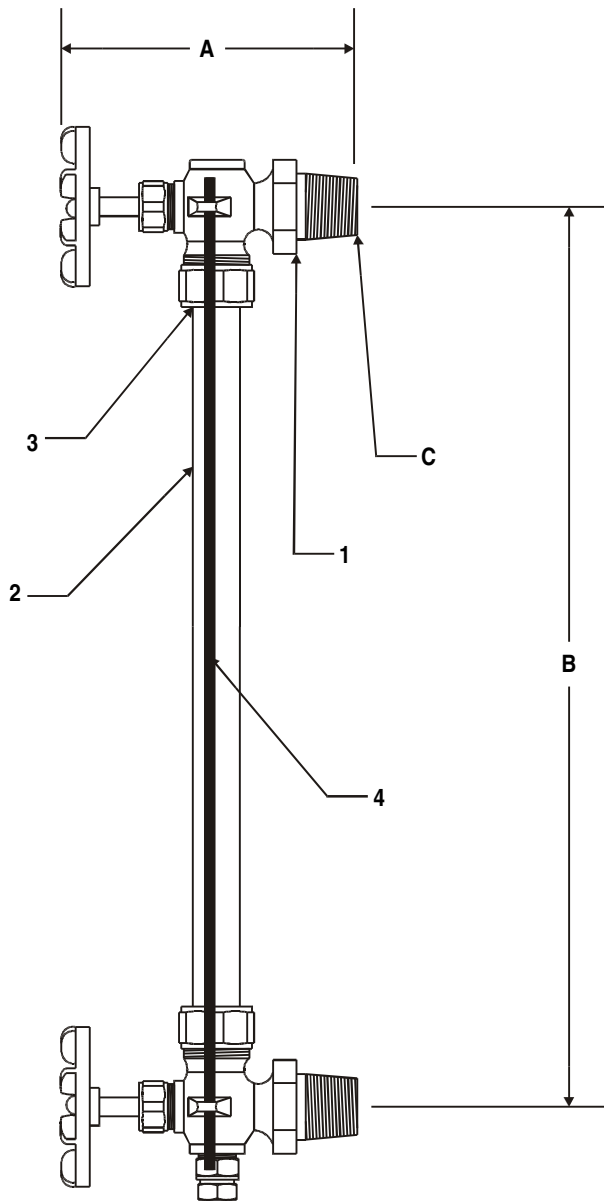
J.L. WINGERT CO.

P.O. Box 6207 • Garden Grove, CA 92846-6207 / 11800 Monarch Street • Garden Grove, CA 92841-2113
 Phone (714) 379-5519 • Fax (714) 379-5549 ■ Email: customerservice@jllwingert.com
 Northern California Region • Phone (510) 487-5310 ■ Southwest Region • Phone (602) 470-1015
 www.jllwingert.com

MANUFACTURING: Mixers, Bypass Feeders, Filter Feeders, Bromine Feeders, Sample Coolers, Sludge Traps, Separators, Separator Systems, Tank Stands,
 Tank Package Systems, Glycol Feed Systems, Coupon Racks, Control Stations, NEMA Enclosures, Custom Packaged Systems and Specialty Welding

Specification Sheet #032031 Rev. "A" (3/03)

SIGHT LEVEL GAUGE (SL125 & SL300)



SPECIFICATIONS:

KEY	DESCRIPTION
1	VALVE: Brass angle valve with safety ball check (in case of glass breakage) and composite handles
2	GLASS: 5/8" OD Duran borosilicate glass gauge
3	SEALS: EPDM
4	SAFETY RODS: Two (2) brass safety rods are included to prevent incidental breakage

DIMENSIONS, WEIGHT & CUBE:

KEY	SL125	SL300
A	3 7/8"	41/2"
B	12"	12"
C	1/2"	1/2"
WEIGHT	10 lbs. approx.	10 lbs. approx.
CUBE	3" X 3" X 14"	3" X 3" X 14"

Note: All dimensions are +/- 1/8". All weights are approximate. All dimensions are subject to change without notice.