

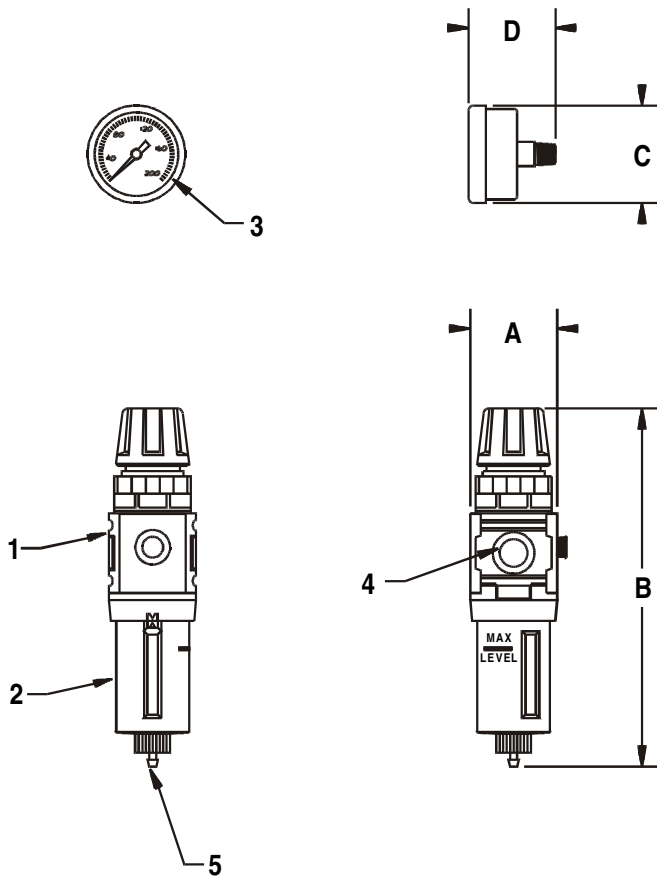
J.L. WINGERT CO.

P.O. Box 6207 • Garden Grove, CA 92846-6207 / 11800 Monarch Street • Garden Grove, CA 92841-2113
 Phone (714) 379-5519 • Fax (714) 379-5549 ■ Southwest Region • Phone (602) 470-1015
 30998 Huntwood Avenue, Unit 105 • Hayward, CA 94544-7033 • Phone (510) 487-5310 • Fax (510) 487-5137
 On the Internet: www.jlwingert.com • Email: customerservice@jlwingert.com

MANUFACTURING: Mixers, Bypass Feeders, Filter Feeders, Bromine Feeders, Sample Coolers, Sludge Traps, Separators, Separator Systems, Tank Stands,
 Tank Package Systems, Glycol Feed Systems, Coupon Racks, Control Stations, NEMA Enclosures, Custom Packaged Systems and Specialty Welding

Specification Sheet #022064 Rev. "B" (11/99)

MODEL 2054 / 2055 AIR FILTER REGULATOR & GAUGE



SPECIFICATIONS:

KEY	PART	DESCRIPTION
1	BODY	Cast iron
2	BOWL	Clear plastic bowl & bowl guard
3	GAUGE (2054)	1/8" steel drawn 0-200 PSI (back tapped)
	GAUGE (2055)	1/4" steel drawn 0-200 PSI (back tapped)
4	PORT SIZES (2054)	1/4" FNPT, gauge port 1/8" FNPT
	PORT SIZES (2055)	1/4" FNPT, gauge port 1/4" FNPT
5	DRAIN	Manual, 5/32" I.D. hose connector

DIMENSIONS, WEIGHT & CUBE:

KEY	2054	2055
A	1.58"	2.36"
B	6.46"	10.00"
C	1.50"	1.75"
D	1.75"	2.25"
Weight	0.70 lbs. approx.	2.40 lbs. approx.
Cube	2" X 3" X 7"	3" X 5" X 10"

OPERATING PARAMETERS:	2054	2055
Max. Temperature	125° F (51.7° C)	150° F (62° C)
Max. Pressure	150 psi (10.3 bar)	150 psi (10.3 bar)
Max. CFM	42	100

Note: All dimensions are +/- 1/8". All weights are approximate. All dimensions are subject to change without notice.