

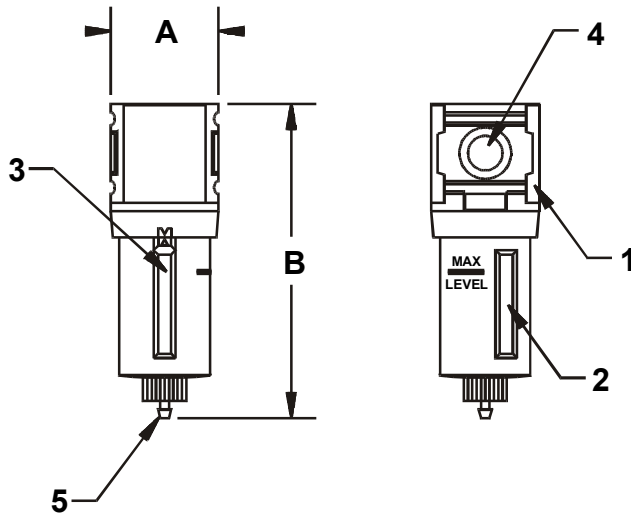
J.L. WINGERT CO.

P.O. Box 6207 • Garden Grove, CA 92846-6207 / 11800 Monarch Street • Garden Grove, CA 92841-2113
 Phone (714) 379-5519 • Fax (714) 379-5549 ■ Southwest Regional Sales Office Phone (602) 470-1015
 30998 Huntwood Avenue, Unit 105 • Hayward, CA 94544-7033 • Phone (510) 487-5310 • Fax (510) 487-5137
 On the Internet: www.jlwingert.com • Email: customerservice@jlwingert.com

MANUFACTURING: Mixers, Bypass Feeders, Filter Feeders, Sample Coolers, Sludge Traps, Separators, Tank Stands,
 Tank Package Systems, Glycol Feed Systems, Coupon Racks, Custom Packaged Systems and Specialty Welding

Specification Sheet #022061 Rev. "B" (11/99)

MODEL 2051 / 2058 IN-LINE AIR FILTER



SPECIFICATIONS:

KEY	PART	DESCRIPTION
1	BODY	Cast iron
2	BOWL	Clear plastic bowl & bowl guard
3	FILTER	Polypro filter
4	PORT SIZES	1/4" FNPT
5	DRAIN	Manual, 5/32" I.D. hose connector

DIMENSIONS, WEIGHT & CUBE:

KEY	2051	2058
A	1.58"	4.58"
B	2.26"	7.40"
Weight	1.30 lbs. approx.	1.30 lbs. approx.
Cube	2" X 2" X 5"	5" X 5" X 8"

OPERATING PARAMETERS:	2051	2058
Max. Temperature	125° F (51.7° C)	125° F (51.7° C)
Max. Pressure	150 psi (10.3 bar)	150 psi (10.3 bar)
Max. CFM	100	50

Note: All dimensions are +/- 1/8". All weights are approximate. All dimensions are subject to change without notice.