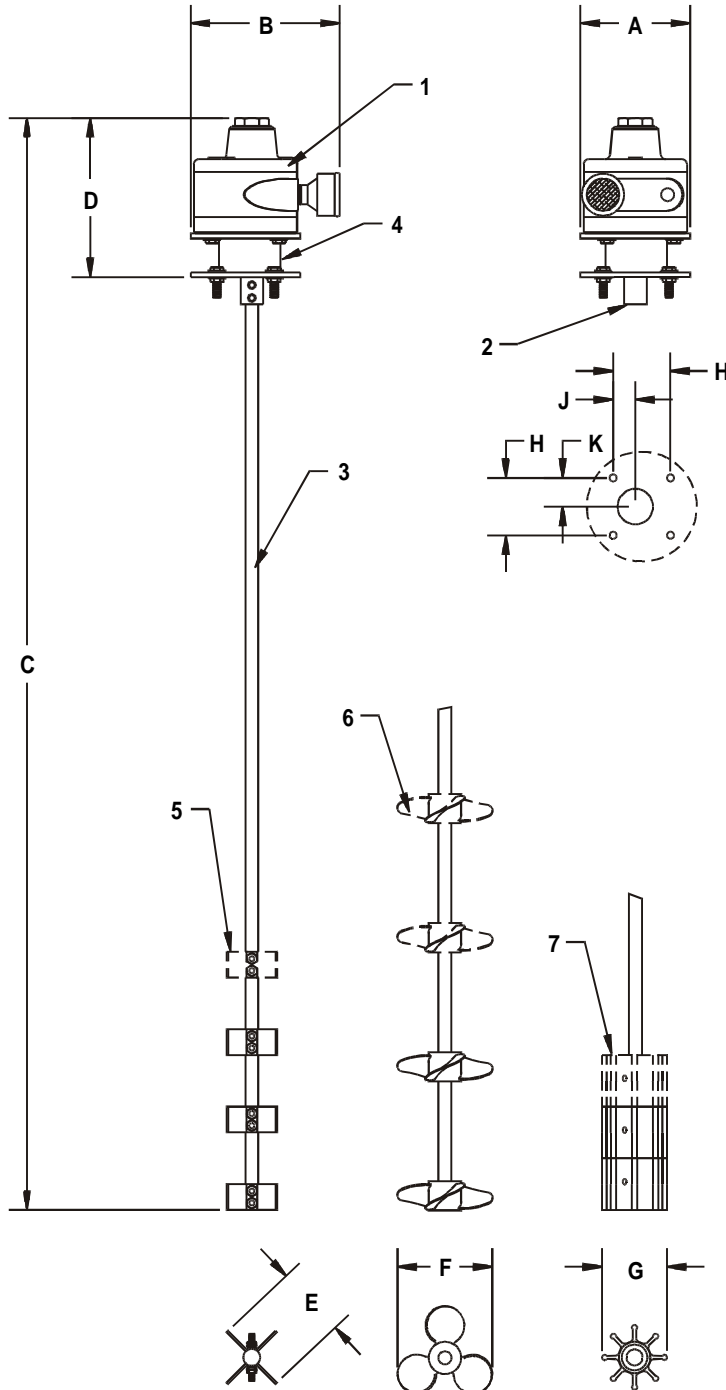


# J.L. WINGERT CO.

P.O. Box 6207 • Garden Grove, CA 92846-6207 / 11800 Monarch Street • Garden Grove, CA 92841-2113  
 Phone (714) 379-5519 • Fax (714) 379-5549 ■ Southwest Region: Phone (602) 470-1015  
 30998 Huntwood Avenue, Unit 105 • Hayward, CA 94544-7033 • Phone (510) 487-5310 • Fax (510) 487-5137  
 On the Internet: [www.jlwingert.com](http://www.jlwingert.com) • Email: [customerservice@jlwingert.com](mailto:customerservice@jlwingert.com)  
 MANUFACTURING: Mixers, Bypass Feeders, Filter Feeders, Sample Coolers, Sludge Traps, Separators, Tank Stands,  
 Tank Package Systems, Glycol Feed Systems, Coupon Racks, Custom Packaged Systems and Specialty Welding

Specification Sheet #022010 Rev. E" (9/00)

## MODEL A23-F-[H/PRP/A] / A24-F-[H/PRP/A]



### SPECIFICATIONS:

KEY	PART	DESCRIPTION
1	2081	MOTOR: 1/2 HP - 1 HP, reversible, fully sealed cast iron casing, with precision sealed bearings
2	2031	COUPLING: 1/2" x 1/2" bored brass coupling with stainless steel set screws
	2032	COUPLING: 1/2" x 5/8" bored brass coupling with stainless steel set screws
3	0315	SHAFT: 1/2" D x 36" L, 304 stainless steel shaft, prepped for impellers / propellers
	0316/44	SHAFT: 5/8" D x 44" L, 304 stainless steel shaft, prepped for impellers / propellers
4	2028	MOUNT: Carbon steel flange and plated steel hardware are provided to mount directly to a horizontal surface
5	0265	[H] SS IMPELLER: 304 stainless steel 2 hole impellers with mounting hardware
6	0269	[PRP] PROPELLER: 316 stainless steel, 1/2" bore marine style propeller
	0270	[PRP] PROPELLER: 316 stainless steel, 5/8" bore marine style propeller
7	0264	[A] NEOPRENE IMPELLER: Large neoprene impeller, 1/2" bore with brass / copper hub
	0264-1	[A] NEOPRENE IMPELLER: Large neoprene impeller, 5/8" bore with brass / copper hub

### DIMENSIONS, WEIGHT & CUBE:

KEY	A-23-F-[ ]	A-24-F-[ ]
A	4"	4"
B	5 1/2"	5 1/2"
C	41 7/8"	49 7/8"
D	6"	6"
E	2 3/8" diameter	2 3/8" diameter
F	4" diameter	4" diameter
G	2 1/2" diameter	2 1/2" diameter
H	2"	2"
J	3/4"	3/4"
K	1"	1"
Weight	22 lbs. approx.	23 lbs. approx.
Cube	10 3/8" X 12 3/8" X 44"	

MOTOR DATA:	A23-F-[ ]	A24-F-[ ]
CFM	27	40
PSI	38	70

Note: All dimensions are +/- 1/8". All weights are approximate. All dimensions are subject to change without notice.