

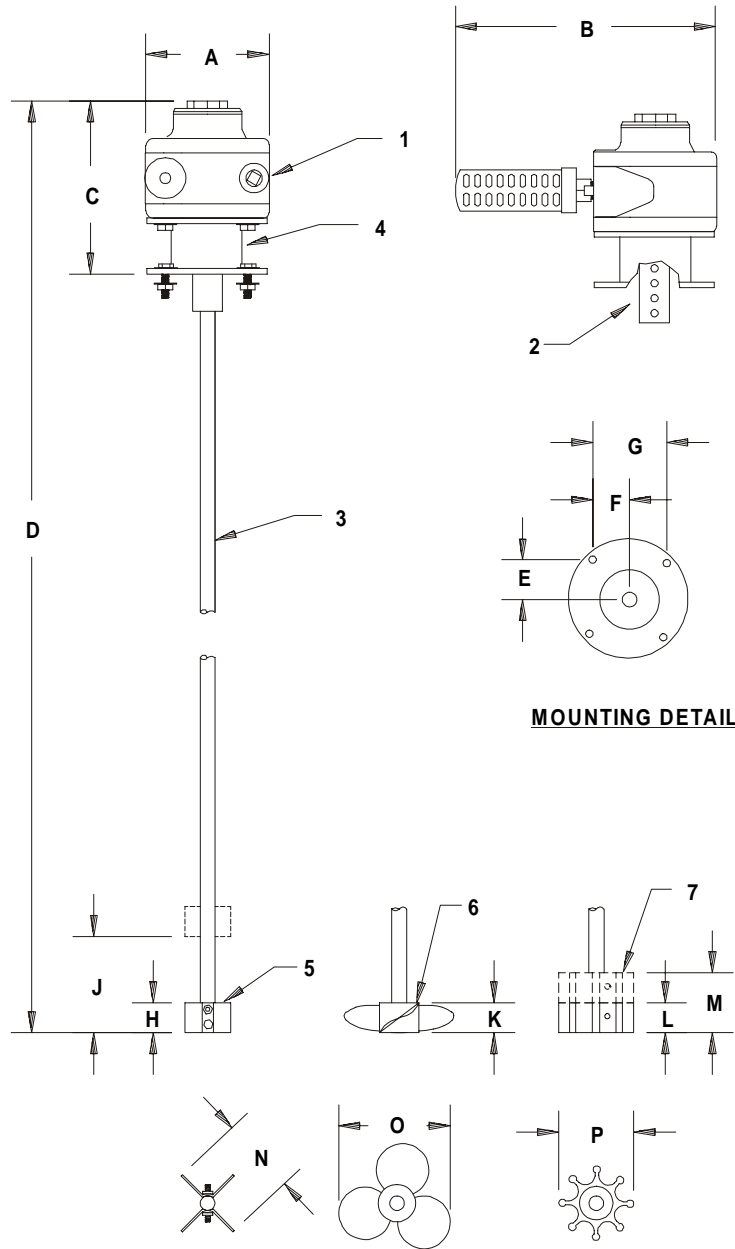
J.L. WINGERT CO.

P.O. Box 6207 • Garden Grove, CA 92846-6207 / 11800 Monarch Street • Garden Grove, CA 92841-2113
 Phone (714) 379-5519 • Fax (714) 379-5549 ■ Southwest Region: Phone (602) 470-1015
 30998 Huntwood Avenue, Unit 105 • Hayward, CA 94544-7033 • Phone (510) 487-5310 • Fax (510) 487-5137
 On the Internet: www.jlwingert.com • Email: customerservice@jlwingert.com

MANUFACTURING: Mixers, Bypass Feeders, Filter Feeders, Sample Coolers, Sludge Traps, Separators, Tank Stands,
 Tank Package Systems, Glycol Feed Systems, Coupon Racks, Custom Packaged Systems and Specialty Welding

Specification Sheet #022007 Rev. "D" (9/00)

MODEL A21-F-[H/PRP/A] / MODEL A22-F-[H/PRP/A]



MOUNTING DETAIL

SPECIFICATIONS:

KEY	PART	DESCRIPTION
1	2082	MOTOR: 1/2 HP, - 1 HP reversible, fully sealed cast iron casing, with precision sealed bearings
2	2031	COUPLING: 1/2" x 1/2" bored brass coupling with stainless steel set screws (stainless coupling optional)
3	0315/34	SHAFT: 1/2" D x 34" L, 304 stainless steel shaft, prepped for 1set of impellers / propellers (A21series mixers)
	0315	SHAFT: 1/2" D x 36" L, 304 stainless steel shaft, prepped for 2 sets of impellers / propellers (A22 series mixers)
4	2042	MOUNT: 4 1/4" diameter, carbon steel flange mount, all hardware is plated steel
5	0265	[H] SS IMPELLER: 304 stainless steel 2 hole impellers with mounting hardware
6	0269	[PRP] PROPELLER: 316 stainless steel marine style propeller, 1/2" bore
7	0263	[A] NEOPRENE IMPELLER: Medium neoprene impeller, 1/2" bore with brass / copper hub (A21 series)
	0264	[A] NEOPRENE IMPELLER: Large neoprene impeller, 1/2" bore with brass / copper hub (A22 series)

NOTE: All replacement parts are based on standard mixer model number

DIMENSIONS, WEIGHT & CUBE:

KEY	A21-F-[] DIMENSION	A22-F-[] DIMENSION
A	4"	4"
B	8 3/4"	8 3/4"
C	6"	6"
D	41 7/8"	43 7/8"
E	1 1/4"	1 1/4"
F	1 1/4"	1 1/4"
G	2 1/2"	2 1/2"
H	1"	1"
J	N/A	2"
K	1 1/8"	1 1/8"
L	1"	1"
M	N/A	2"
N	2 3/8" diameter	2 3/8" diameter
O	4" diameter	4" diameter
P	2 1/2" diameter	2 1/2" diameter
Weight	20 lbs. approx.	21 lbs. approx.
Cube	10 3/8" X 12 3/8" X 36"	10 3/8" X 12 3/8" X 36"

MOTOR DATA:	A21-F-[]	A22-F-[]
CFM	15	20
PSI	18	20

Note: All dimensions are +/- 1/8". All weights are approximate. All dimensions are subject to change without notice.