

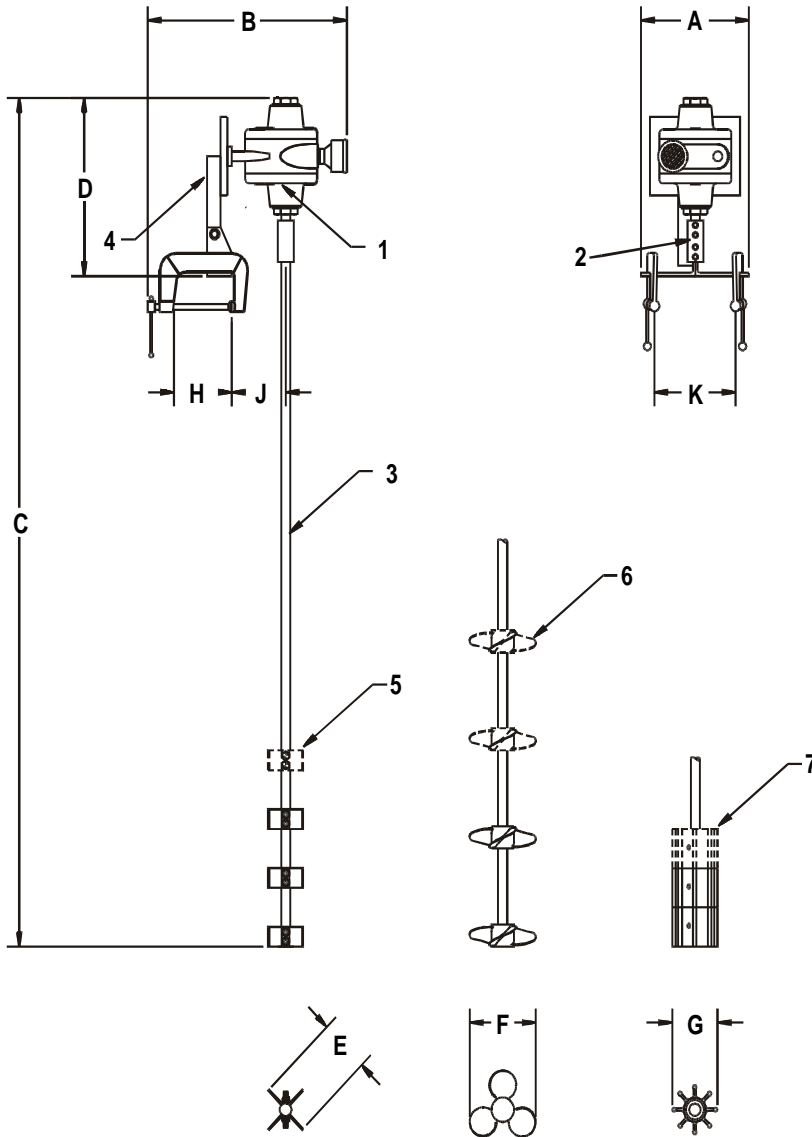
J.L. WINGERT CO.

P.O. Box 6207 • Garden Grove, CA 92846-6207 / 11800 Monarch Street • Garden Grove, CA 92841-2113
 Phone (714) 379-5519 • Fax (714) 379-5549 ■ Southwest Region: Phone (602) 470-1015
 30998 Huntwood Avenue, Unit 105 • Hayward, CA 94544-7033 • Phone (510) 487-5310 • Fax (510) 487-5137
 On the Internet: www.jlwingert.com • Email: customerservice@jlwingert.com

MANUFACTURING: Mixers, Bypass Feeders, Filter Feeders, Sample Coolers, Sludge Traps, Separators, Tank Stands,
 Tank Package Systems, Glycol Feed Systems, Coupon Racks, Custom Packaged Systems and Specialty Welding

Specification Sheet #022005 Rev. "E" (9/00)

MODEL A23-C-[H/PRP/A] / A24-C-[H/PRP/A]



SPECIFICATIONS:

KEY	PART	DESCRIPTION
1	2081	MOTOR: 1/2 HP - 1 HP, reversible, fully sealed cast iron casing, with precision sealed bearings
2	2031	COUPLING: 1/2" x 1/2" bored brass coupling with stainless steel set screws
	2032	COUPLING: 1/2" x 5/8" bored brass coupling with stainless steel set screws
3	0315	SHAFT: 1/2" D x 36" L, 304 stainless steel shaft, prepped for impellers / propellers
	0316/44	SHAFT: 5/8" D x 44" L, 304 stainless steel shaft, prepped for impellers / propellers
4	2029	MOUNT: Dual 3" adjustable c-clamps welded to a 3 position bolt secured base, all hardware is plated steel
5	0265	[H] SS IMPELLER: 304 stainless steel 2 hole impellers with mounting hardware
6	0269	[PRP] PROPELLER: 316 stainless steel, 1/2" bore marine style propeller
	0270	[PRP] PROPELLER: 316 stainless steel, 5/8" bore marine style propeller
7	0264	[A] NEOPRENE IMPELLER: Large neoprene impeller, 1/2" bore with brass / copper hub
	0261-1	[A] NEOPRENE IMPELLER: Large neoprene impeller, 5/8" bore with brass / copper hub

DIMENSIONS, WEIGHT & CUBE:

KEY	A23-C-[]	A24-C-[]
A	6"	6"
B	11 1/16"	11 1/16"
C	41 1/4"	49 1/4"
D	8 3/8"	8 3/8"
E	2 3/8" diameter	2 3/8" diameter
F	4" diameter	4" diameter
G	2 1/2" diameter	2 1/2" diameter
H	3"	3"
J	3 1/4"	3 1/4"
K	4 3/4"	4 3/4"
Weight	22 lbs. approx.	23 lbs. approx.
Cube	10 3/8" X 12 3/8" X 44"	

MOTOR DATA:	A23-C-[]	A24-C-[]
CFM	27	40
PSI	38	70

Note: All dimensions are +/- 1/8". All weights are approximate. All dimensions are subject to change without notice.