

J.L. WINGERT CO.

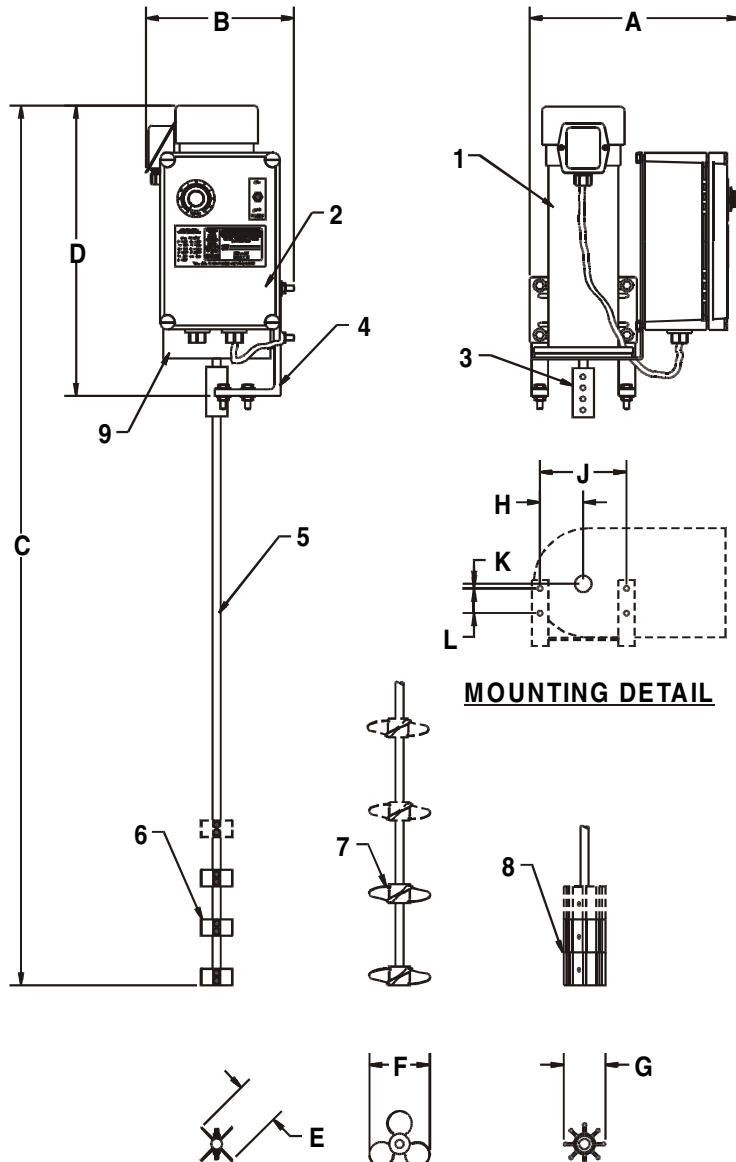
P.O. Box 6207 • Garden Grove, CA 92846-6207 / 11800 Monarch Street • Garden Grove, CA 92841-2113
 Phone (714) 379-5519 • Fax (714) 379-5549 ■ Southwest Region • Phone (602) 470-1015
 30998 Huntwood Avenue, Unit 105 • Hayward, CA 94544-7033 • Phone (510) 487-5310 • Fax (510) 487-5137

On the Internet: www.jlwingert.com • Email: customerservice@jlwingert.com

MANUFACTURING: Mixers, Bypass Feeders, Filter Feeders, Sample Coolers, Sludge Traps, Separators, Tank Stands,
 Tank Package Systems, Glycol Feed Systems, Coupon Racks, Custom Packaged Systems and Specialty Welding

Specification Sheet #012210 Rev. "E" (6/00)

MODEL VB-3-TE-[H/PRP/A] / VB-4-TE-[H/PRP/A]



SPECIFICATIONS:

KEY	PART	DESCRIPTION
1	0432-A	MOTOR: 1/2 HP, TEFC, 100 to 1725 RPM
	0433-A	MOTOR: 1HP, TEFC, 100 to 1725 RPM
2	0440-A	SPEED CONTROLLER: 17:1, 115V speed controller
3	0253	COUPLING: 1/2" x 1/2" bored brass coupling with stainless set screws
	0254	COUPLING: 1/2" x 5/8" bored brass coupling with stainless set screws
4	0243	MOUNT: 3/8" thick steel mounting brackets with plated steel hardware
5	0315	SHAFT: 1/2" D x 36" L, 304 stainless steel shaft, prepped for impellers / propellers
	0316/44	SHAFT: 5/8" D x 44" L, 304 stainless steel shaft, prepped for impellers / propellers
6	0265	[H] SS IMPELLER: 304 stainless steel 2 hole impellers with mounting hardware
7	0269	[PRP] PROPELLER: 316 stainless steel marine style 1/2" bore propeller with stainless steel set screw
	0270	[PRP] PROPELLER: 316 stainless steel marine style 5/8" bore propeller with stainless steel set screw
8	0264	[A] NEOPRENE IMPELLER: Large neoprene impeller, 1/2" bore with brass/copper hub
	0264-1	[A] NEOPRENE IMPELLER: Large neoprene impeller, 5/8" bore with brass/copper hub
9	0604	MOTOR BRACKET: 12GA controller to mounting ell bracket

NOTE: All replacement parts are based on standard mixer model number

DIMENSIONS, WEIGHT & CUBE:

KEY	VB-3-TE-[]	VB-4-TE-[]
A	10 1/2"	10 1/2"
B	8 1/2"	8 1/2"
C	48 3/4"	60 3/4"
D	12 3/4"	16 3/4"
E	2 3/8" diameter	2 3/8" diameter
F	4" diameter	4" diameter
G	2 1/2" diameter	2 1/2" diameter
H	3"	3"
J	6"	6"
K	5/8"	5/8"
L	1 1/2"	1 1/2"
Weight	30 lbs. approx.	43 lbs. approx.
Cube	10 3/8" X 12 3/8" X 36"	10 3/8" X 12 3/8" X 44"

MOTOR DATA:	VB-3-TE-[]	VB-4-TE-[]
Voltage	90 VDC	90 VDC
Full Load Amps	5.5	10.9
Service Factor	1.0	1.0
Insulation Class	F	F

Note: All dimensions are +/- 1/8". All weights are approximate. All dimensions are subject to change without notice.