

J.L. WINGERT CO.

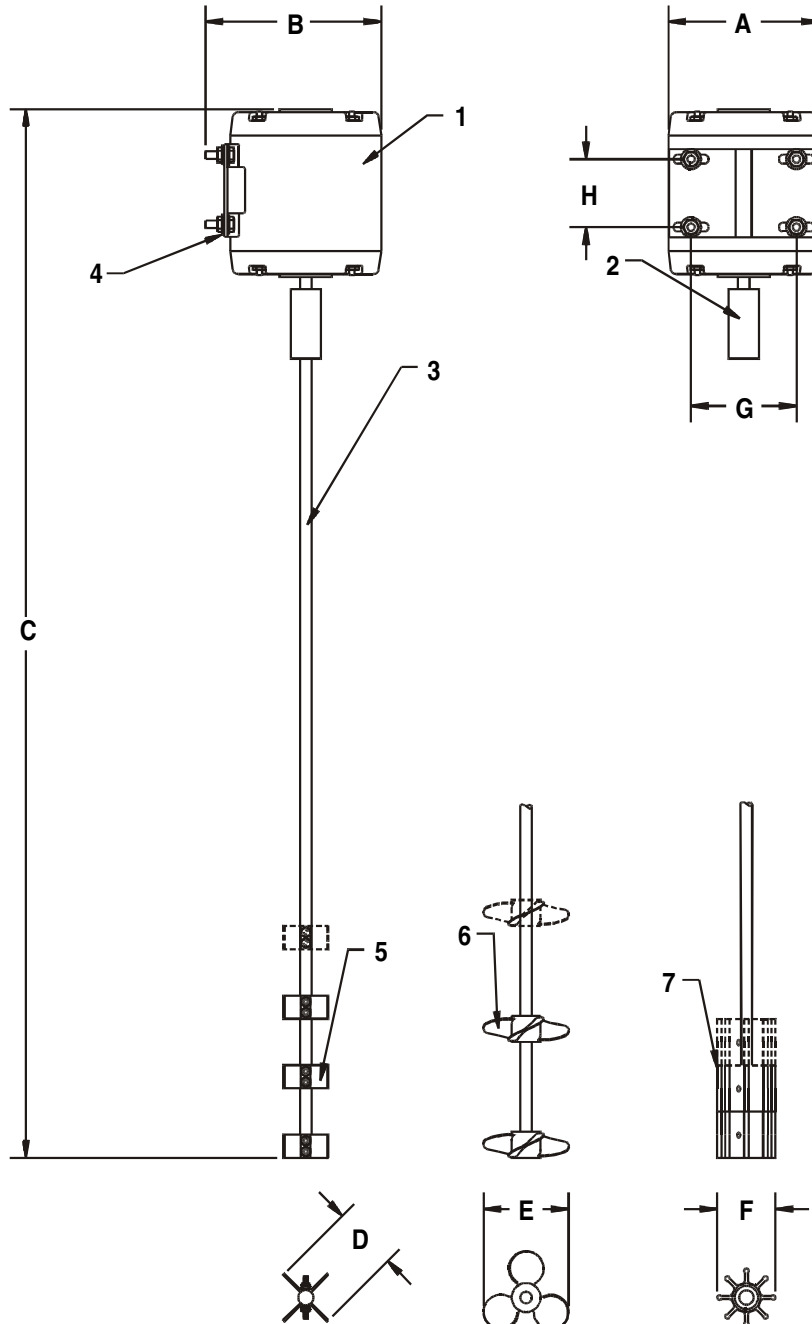
P.O. Box 6207 • Garden Grove, CA 92846-6207 / 11800 Monarch Street • Garden Grove, CA 92841-2113
 Phone (714) 379-5519 • Fax (714) 379-5549 ■ Southwest Region • Phone (602) 470-1015
 30998 Huntwood Avenue, Unit 105 • Hayward, CA 94544-7033 • Phone (510) 487-5310 • Fax (510) 487-5137

On the Internet: www.jlwingert.com • Email: customerservice@jlwingert.com

MANUFACTURING: Mixers, Bypass Feeders, Filter Feeders, Sample Coolers, Sludge Traps, Separators, Tank Stands,
 Tank Package Systems, Glycol Feed Systems, Coupon Racks, Custom Packaged Systems and Specialty Welding

Specification Sheet #012045 Rev. "D" (6/00)

MODEL X-3-O-[H/PRP/A] / X-4-O-[H/PRP/A]



SPECIFICATIONS:

| KEY | PART | DESCRIPTION |
|-----|---------|--|
| 1 | 0403-A | MOTOR: 1/2 HP, OPEN |
| | 0404-A | MOTOR: 1HP, OPEN |
| 2 | 0253 | COUPLING: 1/2" x 1/2" bored brass coupling with stainless set screws |
| | 0254 | COUPLING: 1/2" x 5/8" bored brass coupling with stainless set screws |
| 3 | 0315 | SHAFT: 1/2" D x 36" L, 304 stainless steel shaft, prepped for 3 sets of impellers / propellers |
| | 0316/44 | SHAFT: 5/8" D x 44" L, 304 stainless steel shaft, prepped for 4 sets of impellers / propellers |
| 4 | 0349 | MOUNT: Plated steel mounting hardware |
| 5 | 0265 | [H] SS IMPELLER: 304 stainless steel 2 hole impellers with mounting hardware |
| 6 | 0269 | [PRP] PROPELLER: 4" D, 316 stainless steel marine style 1/2" bore propeller |
| | 0270 | [PRP] PROPELLER: 316 stainless steel marine style 5/8" bore with stainless steel set screw |
| 7 | 0264 | [A] NEOPRENE IMPELLER: Large neoprene impeller, 1/2" bore with brass/copper hub |
| | 0264-1 | [A] NEOPRENE IMPELLER: Large neoprene impeller, 5/8" bore with brass/copper hub |

NOTE: All replacement parts are based on standard mixer model number

DIMENSIONS, WEIGHT & CUBE:

| KEY | X-3-O-[] | X-4-O-[] |
|--------|-------------------------|-------------------------|
| A | 6 1/4" | 6 1/4" |
| B | 7" | 7" |
| C | 44 3/4" | 46 3/4" |
| D | 2 3/8" diameter | 2 3/8" diameter |
| E | 4" diameter | 4" diameter |
| F | 2 1/2" diameter | 2 1/2" diameter |
| G | 5" | 5" |
| H | 3" | 3" |
| Weight | 28 lbs. approx. | 36 lbs. approx. |
| Cube | 10 3/8" X 12 3/8" X 36" | 10 3/8" X 12 3/8" X 44" |

| MOTOR DATA: | X-3-O-[] | X-4-O-[] |
|------------------|-----------|-----------|
| Voltage | 115 | 115 |
| Phase / Hertz | 1 / 60 | 1 / 60 |
| Full Load Amps | 5.4 | 6.0 |
| Service Factor | 1.15 | 1.15 |
| Insulation Class | A | A |

Note: All dimensions are +/- 1/8". All weights are approximate. All dimensions are subject to change without notice.