

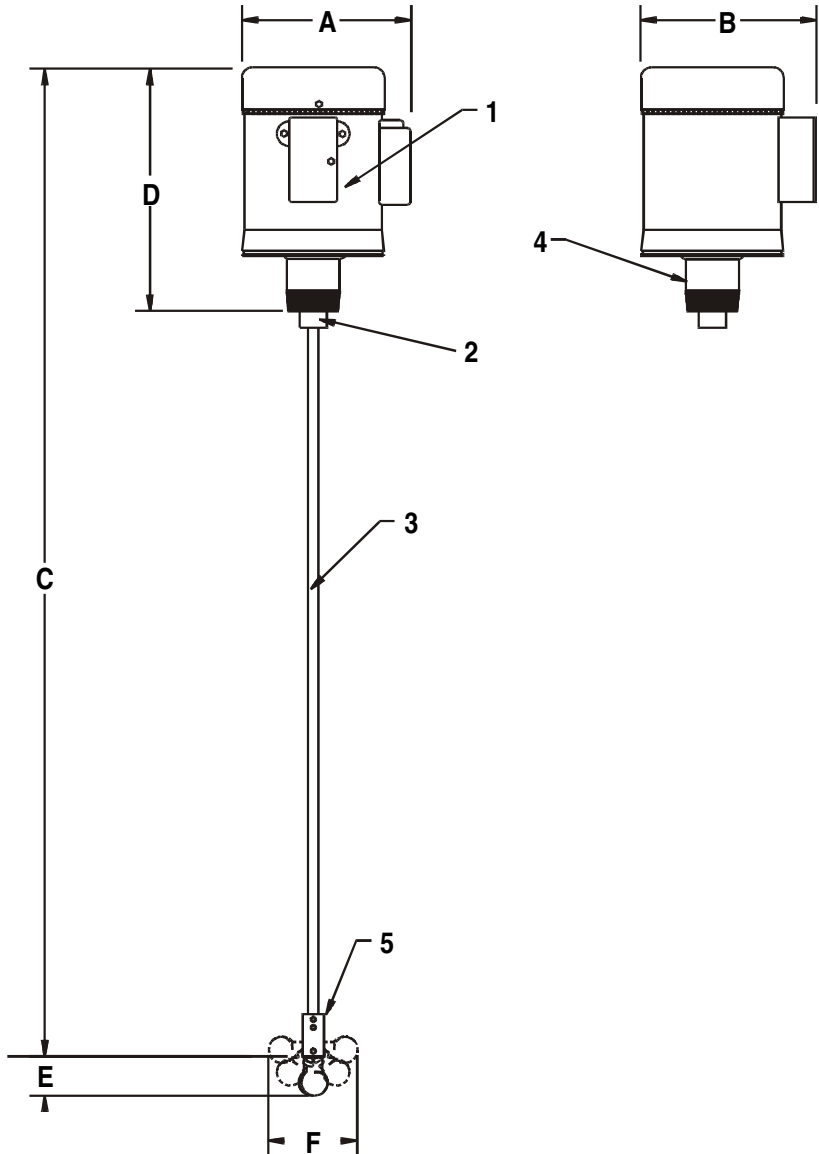
J.L. WINGERT CO.

P.O. Box 6207 • Garden Grove, CA 92846-6207 / 11800 Monarch Street • Garden Grove, CA 92841-2113
 Phone (714) 379-5519 • Fax (714) 379-5549 ■ Southwest Region • Phone (602) 470-1015
 30998 Huntwood Avenue, Unit 105 • Hayward, CA 94544-7033 • Phone (510) 487-5310 • Fax (510) 487-5137
 On the Internet: www.jlwingert.com • Email: customerservice@jlwingert.com

MANUFACTURING: Mixers, Bypass Feeders, Filter Feeders, Bromine Feeders, Sample Coolers, Sludge Traps, Separators, Separator Systems, Tank Stands,
 Tank Package Systems, Glycol Feed Systems, Coupon Racks, Control Stations, NEMA Enclosures, Custom Packaged Systems and Specialty Welding

Specification Sheet #012024 Rev. "D" (6/99)

MODEL T-3-TE-[PRP] / T-3.5-TE-[PRP]



SPECIFICATIONS:

KEY	PART	DESCRIPTION
1	0408-E	MOTOR: 1/2 HP, 115/230V, TEFC
	0409-E	MOTOR: 3/4 HP, 115/230V, TEFC
2	0254	COUPLING: 1/2" x 5/8" bored brass coupling with stainless set screws
3	0315	SHAFT: 1/2" D x 36" L, 304 stainless steel shaft, prepped for 1 collapsible propeller
4	0361	MOUNT: 2" NPT threaded black pipe, designed for 55 gal. drum mounting
5	0354-1	[PRP] PROPELLER: 1/2" bore collapsible propeller

NOTE: All replacement parts are based on standard mixer model number

DIMENSIONS, WEIGHT & CUBE:

KEY	T-3-TE-[]	T-3.5-TE-[]
A	8 1/2"	8 1/2"
B	8 1/4"	8 1/4"
C	47 1/2"	49 1/2"
D	16"	18"
E	2"	2"
F	4" diameter	4" diameter
Weight	32 lbs. approx.	36 lbs. approx.
Cube	10 3/8" X 12 3/8" X 36"	

MOTOR DATA:	T-3-TE-[]	T-3.5-TE-[]
Voltage	115 / 230	115 / 230
Phase / Hertz	1 / 60	1 / 60
Full Load Amps	9.0 / 4.5	11.4 / 5.7
Service Factor	1.15	1.15
Insulation Class	B	B

Note: All dimensions are +/- 1/8". All weights are approximate. All dimensions are subject to change without notice.