

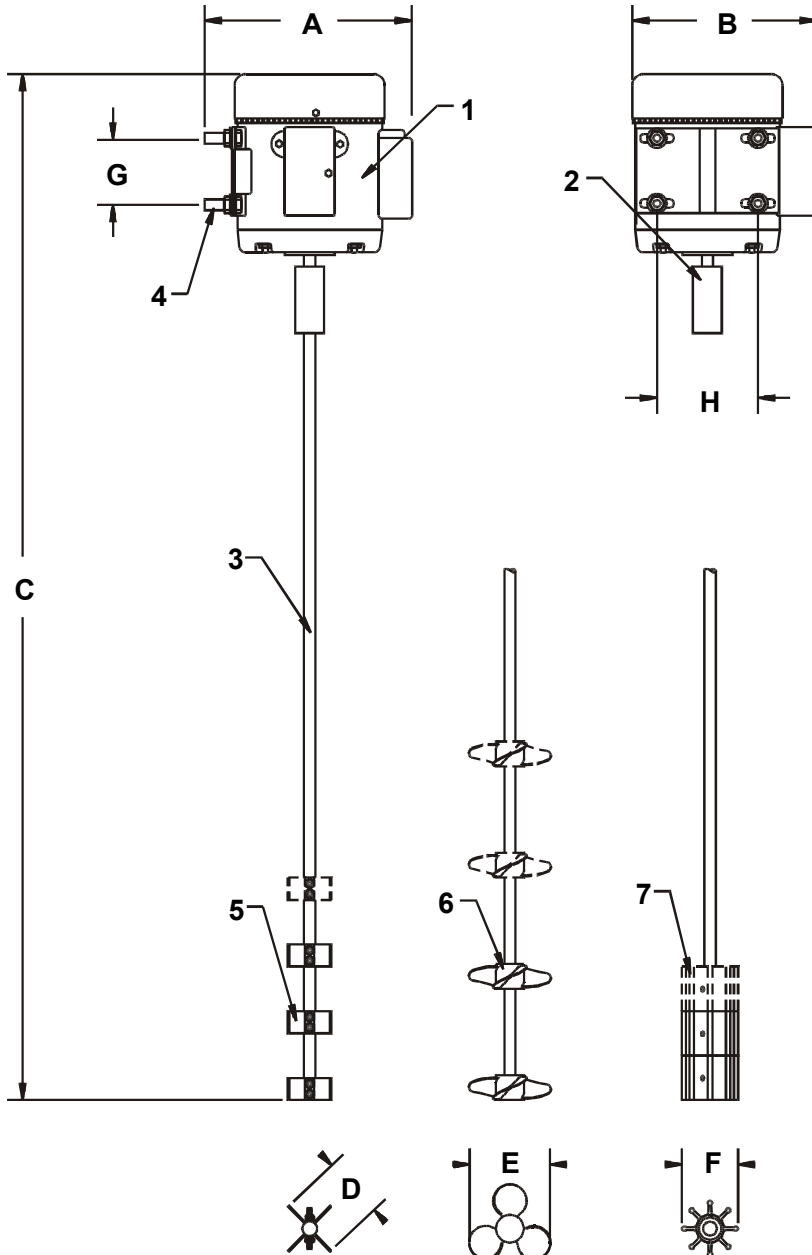
J.L. WINGERT CO.

P.O. Box 6207 • Garden Grove, CA 92846-6207 / 11800 Monarch Street • Garden Grove, CA 92841-2113
 Phone (714) 379-5519 • Fax (714) 379-5549 ■ Southwest Regional Sales Office Phone (602) 470-1015
 30998 Huntwood Avenue, Unit 105 • Hayward, CA 94544-7033 • Phone (510) 487-5310 • Fax (510) 487-5137
 On the Internet: www.jlwingert.com • Email: customerservice@jlwingert.com

MANUFACTURING: Mixers, Bypass Feeders, Filter Feeders, Sample Coolers, Sludge Traps, Separators, Tank Stands,
 Tank Package Systems, Glycol Feed Systems, Coupon Racks, Custom Packaged Systems and Specialty Welding

Specification Sheet #012023 Rev. "D" (6/99)

MODEL X-3-TE-[H/PRP/A] / X-4-TE-[H/PRP/A]



SPECIFICATIONS:

KEY	PART	DESCRIPTION
1	0403-E	MOTOR: 1/2 HP, 115/230V, TEFC
	0404-E	MOTOR: 1 HP, 115/230V, TEFC
2	0254	COUPLING: 1/2" x 5/8" bored brass coupling with stainless set screws
	0255	COUPLING: 5/8" x 5/8" bored brass coupling with stainless set screws
3	0315	SHAFT: 1/2" D x 36" L, 304 stainless steel shaft, prepped for # sets of impellers / propellers
	0316/44	SHAFT: 5/8" D x 44" L, 304 stainless steel shaft, prepped for # sets of impellers / propellers
4	0349	MOUNT: Plated steel mounting hardware
5	0265	[H] SS IMPELLER: 304 stainless steel 2 hole impellers with mounting hardware
6	0269	[PRP] PROPELLER: 316 stainless steel marine style 1/2" bore propeller
	0270	[PRP] PROPELLER: 316 stainless steel marine style 5/8" bore propeller
7	0264	[A] NEOPRENE IMPELLER: Large neoprene impeller, 1/2" bore
	0264-1	[A] NEOPRENE IMPELLER: Large neoprene impeller, 5/8" bore

NOTE: All replacement parts are based on standard mixer model number

DIMENSIONS, WEIGHT & CUBE:

KEY	X-3-TE-[]	X-4-TE-[]
A	9 1/4"	9 1/4"
B	8 1/4"	8 1/4"
C	47 1/4"	56 1/4"
D	2 3/8" diameter	2 3/8" diameter
E	4" diameter	4" diameter
F	2 1/2" diameter	2 1/2" diameter
G	3"	3"
H	5"	5"
Weight	28 lbs. approx.	36 lbs. approx.
Cube	10 3/8" X 12 3/8" X 36"	10 3/8" X 12 3/8" X 44"

MOTOR DATA:	X-3-TE-[]	X-4-TE-[]
Voltage	115 / 230	115 / 230
Phase / Hertz	1 / 60	1 / 60
Full Load Amps	9.6 / 4.8	13.6 / 6.8
Service Factor	1.15	1.15
Insulation Class	A	B

Note: All dimensions are +/- 1/8". All weights are approximate. All dimensions are subject to change without notice.