

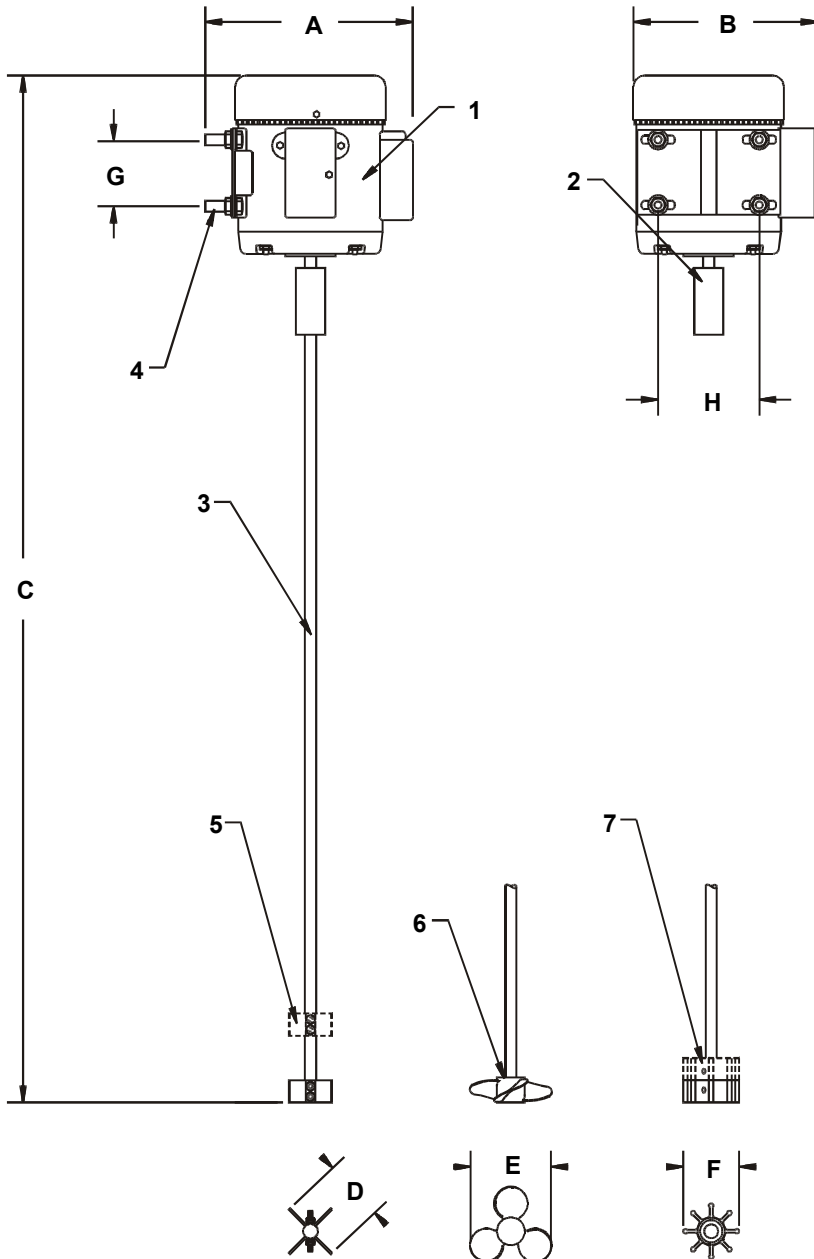
J.L. WINGERT CO.

P.O. Box 6207 • Garden Grove, CA 92846-6207 / 11800 Monarch Street • Garden Grove, CA 92841-2113
 Phone (714) 379-5519 • Fax (714) 379-5549 ■ Southwest Regional Sales Office Phone (602) 470-1015
 30998 Huntwood Avenue, Unit 105 • Hayward, CA 94544-7033 • Phone (510) 487-5310 • Fax (510) 487-5137
 On the Internet: www.jlwingert.com • Email: customerservice@jlwingert.com

MANUFACTURING: Mixers, Bypass Feeders, Filter Feeders, Sample Coolers, Sludge Traps, Separators, Tank Stands,
 Tank Package Systems, Glycol Feed Systems, Coupon Racks, Custom Packaged Systems and Specialty Welding

Specification Sheet #012014 Rev. "E" (6/00)

MODEL X-1-TE-[H/PRP/A] / X-2-TE-[H/PRP/A]



SPECIFICATIONS:

KEY	PART	DESCRIPTION
1	0401-E	MOTOR: 1/4 HP, 115/230V, TEFC
	0402-E	MOTOR: 1/3 HP, 115/230V, TEFC
2	0254	COUPLING: 5/8" x 1/2" bored brass coupling with stainless set screws
3	0315/34	SHAFT: 1/2" D x 34" L 304 stainless steel shaft, prepped for # set of impellers / propellers
	0315	SHAFT: 1/2" D x 36" L, 304 stainless steel shaft, prepped for # set of impellers / propellers
4	0349	MOUNT: Plated steel mounting hardware
5	0265	[H] SS IMPELLER: 304 stainless steel 2 hole impellers with mounting hardware
6	0269	[PRP] PROPELLER: 4" D, 316 stainless steel marine style propeller, 1/2" bore
7	0263	[A] NEOPRENE IMPELLER: Medium neoprene impeller, 1/2" bore
	0264	[A] NEOPRENE IMPELLER: Large neoprene impeller, 1/2" bore

NOTE: All replacement parts are based on standard mixer model number

DIMENSIONS, WEIGHT & CUBE:

KEY	X-1-TE-[]	X-2-TE-[]
A	8 1/2"	8 1/2"
B	8 1/4"	8 1/4"
C	44 1/2"	46 1/2"
D	2 3/8" diameter	2 3/8" diameter
E	4" diameter	4" diameter
F	2 1/2" diameter	2 1/2" diameter
G	3"	3"
H	5 1/4"	5 1/4"
Weight	26 lbs. approx.	26 lbs. approx.
Cube	10 3/8" X 12 3/8" X 36"	

MOTOR DATA:	X-1-TE-[]	X-2-TE-[]
Voltage	115 / 230	115 / 230
Phase / Hertz	1 / 60	1 / 60
Full Load Amps	5.8 / 2.9	6.6 / 3.3
Service Factor	1.15	1.15
Insulation Class	A	A

Note: All dimensions are +/- 1/8". All weights are approximate. All dimensions are subject to change without notice.