

J.L. WINGERT CO.

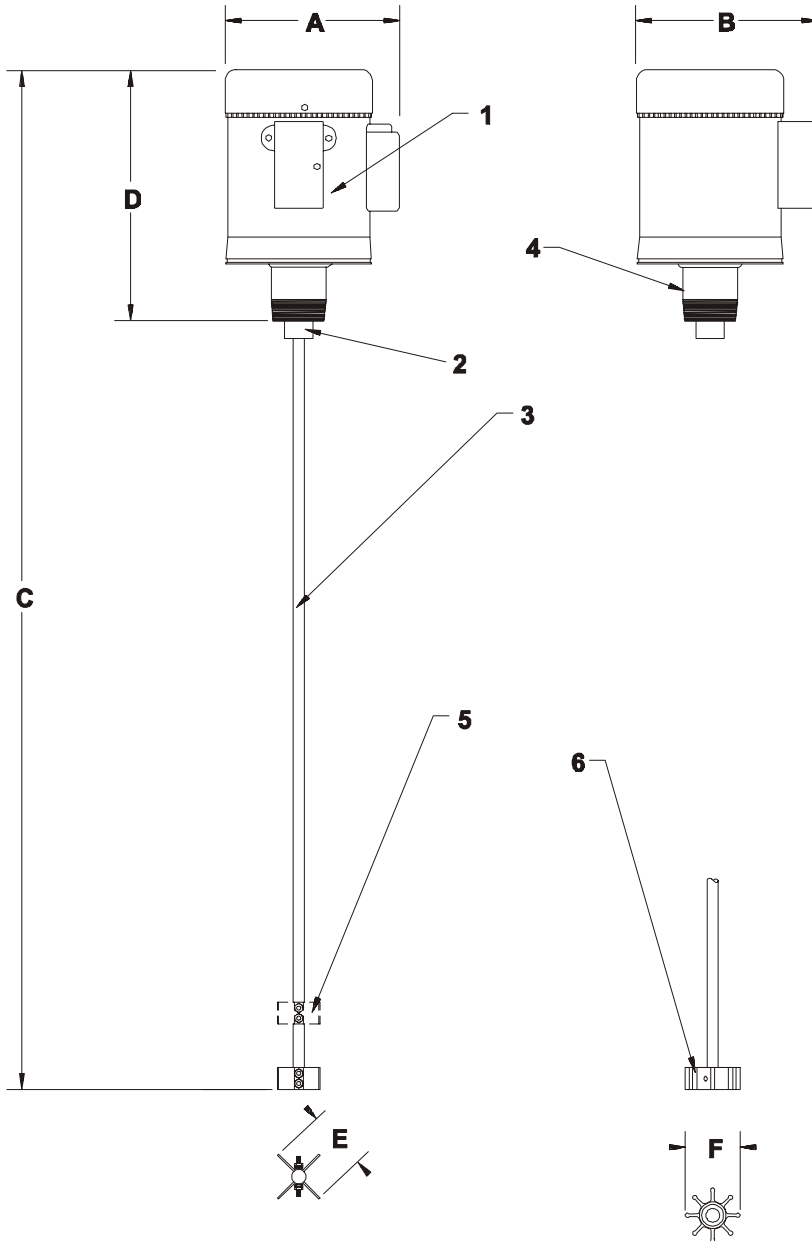
P.O. Box 6207 • Garden Grove, CA 92846-6207 / 11800 Monarch Street • Garden Grove, CA 92841-2113
 Phone (714) 379-5519 • Fax (714) 379-5549 ■ Southwest Region • Phone (602) 470-1015
 30998 Huntwood Avenue, Unit 105 • Hayward, CA 94544-7033 • Phone (510) 487-5310 • Fax (510) 487-5137

On the Internet: www.jlwingert.com • Email: customerservice@jlwingert.com

MANUFACTURING: Mixers, Bypass Feeders, Filter Feeders, Sample Coolers, Sludge Traps, Separators, Tank Stands,
 Tank Package Systems, Glycol Feed Systems, Coupon Racks, Custom Packaged Systems and Specialty Welding

Specification Sheet #012013 Rev. "D" (5/99)

MODEL T-2-TE-[H/A]



SPECIFICATIONS:

KEY	PART	DESCRIPTION
1	0407-E-1	MOTOR: 1/3 HP, 115/230V, TEFC
2	0254	COUPLING: 1/2" x 5/8" bored brass coupling with stainless set screws
3	0315	SHAFT: 1/2" x 36" 304 stainless steel shaft, prepped for 2 sets of impellers / propellers
4	0251-1	MOUNT: 2" NPT thread mount, designed for 55 gallon drum applications.
5	0265	[H] SS IMPELLER: 304 stainless steel 2 hole impellers with mounting hardware
6	0263	[A] NEOPRENE IMPELLER: Medium neoprene impeller, 1/2" bore

NOTE: All replacement parts are based on standard mixer model number

DIMENSIONS, WEIGHT & CUBE:

KEY	T-2-TE-[] DIMENSION
A	8 1/8"
B	8 1/4"
C	46 3/8"
D	11 1/4"
E	2 3/8" diameter
F	2 5/8" diameter
Weight	30 lbs. approx.
Cube	10 3/8" X 12 3/8" X 36"

MOTOR DATA:	T-2-TE-[]
Voltage	115 / 230
Phase / Hertz	1 / 60
FLA	6.6 / 3.3
S.F.	1.0
Insulation Class	A

Note: All dimensions are +/- 1/8". All weights are approximate. All dimensions are subject to change without notice.