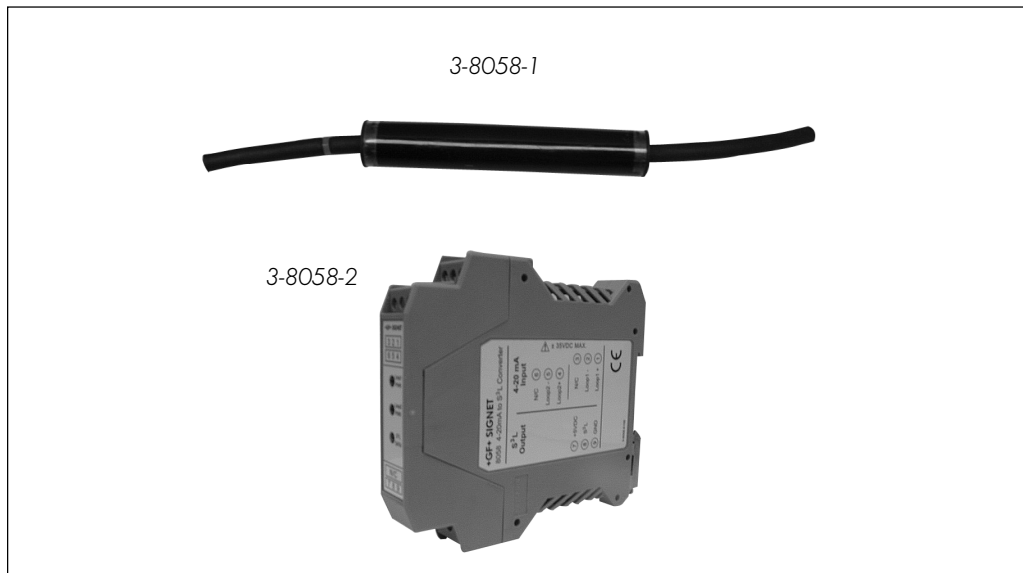


i-Go™ 8058 Signal Converter



Features

- Connects with level, temperature, pressure and multi-parameter +GF+ SIGNET instruments and other manufacturers' transmitters
- Up to two 4 to 20mA sensor inputs
- Connects additional measurement parameters to +GF+ SIGNET 8900 Multi-Parameter instrument
- Wire or DIN rail mountable

Description

The +GF+ SIGNET i-Go™ 8058 Signal Converter accepts any 4 to 20 mA signal and converts it into the +GF+ SIGNET digital (S³L) format, the serial data format used by the +GF+ SIGNET 8250, 8350, 8450 and 8900 instruments. When used with the 8900 Multi-Parameter Controller, the measurement type and operating range are defined in the 8900 setup menu.

When used with level, temperature and pressure transmitters, the 8058 is config-

ured at the factory to the user's specifications.

The wire-mount single-channel version is easily mounted anywhere in the interconnecting wiring between the sensor and the instrument.

The DIN rail mounted dual-channel version can convert one or two separate 4 to 20mA inputs into a digital (S³L) output.

Applications

- Dissolved Oxygen Monitoring and Control in Wastewater
- Chlorine Dioxide for Disinfection
- Ozone Monitoring
- Toroidal conductivity
- Chlorine Injection Control
- Tank Level Monitoring
- Turbidity and Suspended Solids Monitoring



Compatible Sensors

The +GF+ SIGNET i-Go™ 8058 Signal Converter is compatible with the following sensors:

All sensors with 4 to 20mA output.

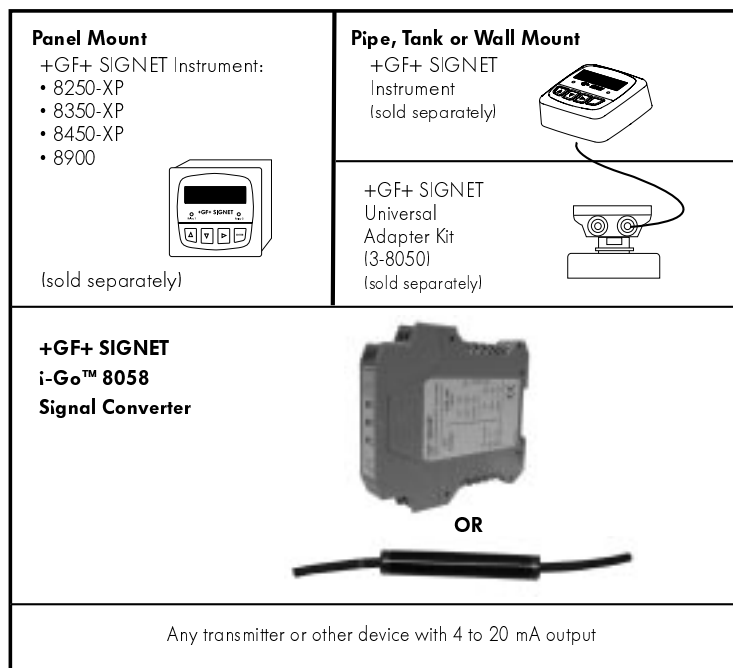
Compatible Instruments

The +GF+ SIGNET i-Go™ 8058 Signal Converter is compatible with the following instruments:

8250 8450
8350 8900

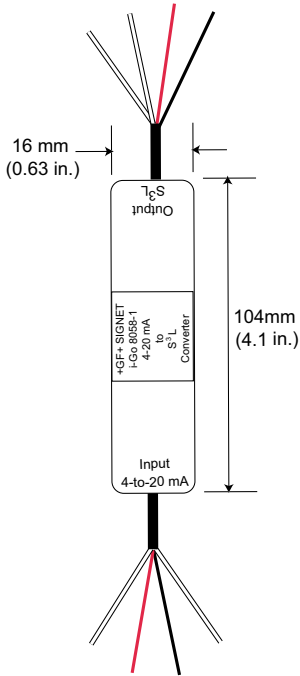
See individual catalog pages for more information.

System Overview

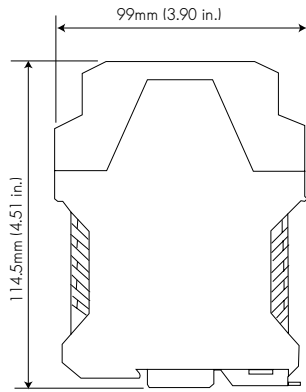


Dimensions

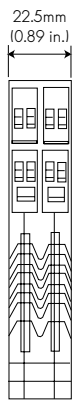
3-8058-1 Wire Mount



3-8058-2 DIN Rail mount



Front View



Side View

Specifications

General

Input: 4 to 20mA current loop, passive (external power required)
 Input range: 3.6 to 22.1 mA
 Output: Digital (S³L) output
 3-8058-2: calibrated mA
 Accuracy: ± 32 µA @ 25°C
 Resolution: < 16 µA
 Update rate: 500mS
 Temp. Drift: ± 1 µA per °C, max.

Electrical

Power req.: 4.5 to 6.5 VDC < 3.0 mA
 Max. voltage: 35 VDC
 Max. current: 40 mA
 Isolation: Up to 48 Volts AC/DC
 Voltage drop: 5 VDC max.
 Reverse polarity protected

Cable:

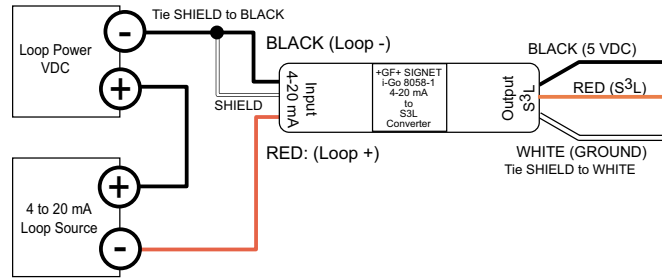
3-8058-1: 400 mm (15 in.) input, 200 mm (8 in.) output
 3-8058-2: No cable provided (customer supplied)

Max. recommended cable extensions:

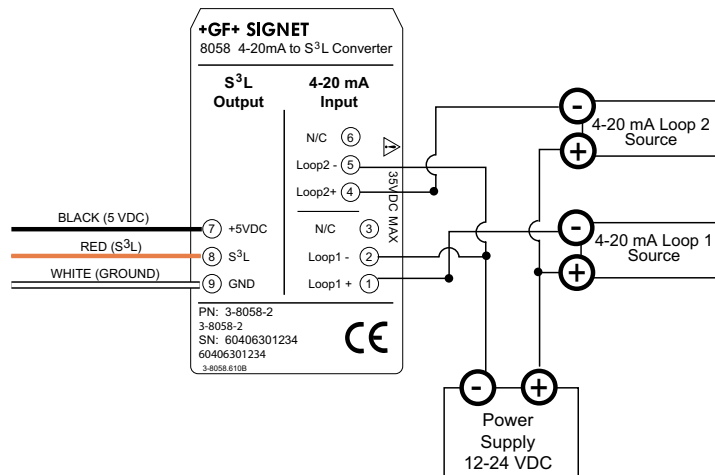
- Loop in: 300m (1000 ft.)
- S³L out: per S³L guidelines

Wiring

- 8058-1 to +GF+ SIGNET ProcessPro® Instruments



- 8058-2 to +GF+ SIGNET ProcessPro® instruments



Shipping Weight:

- 3-8058-1: 40g (.08 lbs.)
- 3-8058-2: 80g (.17 lbs.)

Environmental

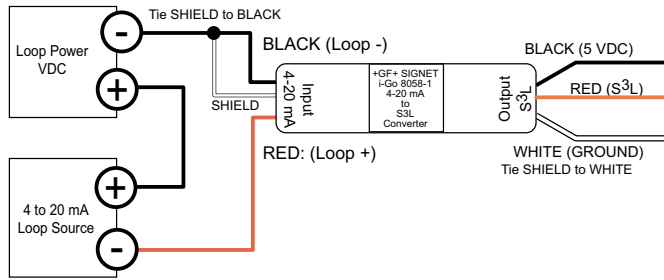
Operating Ambient Temperature: -10°C to 55°C (14°F to 131°F)
 Storage Temperature: -20°C to 85°C (-4°F to 185°F)
 Relative Humidity:
 • 3-8058-1: 0 to 100%, condensing
 • 3-8058-2: 0 to 90%, non-condensing

Standards and Approvals

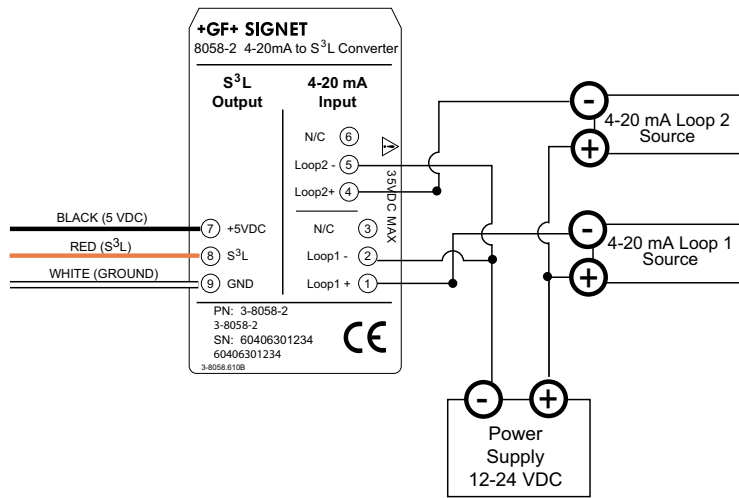
- CE

Wiring (continued)

- 8058-1 to +GF+ SIGNET 8900 Multi-Parameter



- 8058-2 to +GF+ SIGNET 8900 Multi-Parameter



Ordering Information

Signal Converter	
3-8058	4 to 20 mA output converted to a digital (S3L) output
	Options - Choose one
-1	Wire-mount converter with short cable; for use with the 8900
-2	DIN rail mount converter (customer supplied cable) for use with the 8900
	Special Options-Contact technical service for more ordering information
-s	Converter configured for use with +GF+ SIGNET 8250, 8350, or 8450. Customer must specify 4 and 20 mA designations
-SC	Special cable length for the -1 version (customer supplied).
3-8058	-1 Example Part Number

Mfr. Part No.	Code
3-8058-1	159 000 966
3-8058-2	159 000 967

Accessories and Replacement Parts

Mfr. Part No.	Code	Description
6205-0002	159 000 858	1-Meter Length DIN Rail
6205-0003	159 000 859	End Clips for DIN Rail
5523-0222	159 000 392	Cable, 2 cond. plus shield, 22 AWG, black/red
5523-0322	159 000 761	Cable, 3 cond. plus shield, 22 AWG, black/red/white

Model 8058

Ordering Notes:

- For the -s special option, customer must specify at time of order the actual process value at 4mA and the actual process value at 2mA for factory span calibration.
- For the -sc special option, customer must specify the required length of cable in increments of feet or meters.

For more information, contact your local George Fischer Sales Office:

A	Georg Fischer Rohrleitungssysteme GmbH, Sandgasse 16, 3130 Herzogenburg, Tel. +43(0)2782 856 43-0, Fax +43(0)2782 856 64, e-mail: office@georgfischer.at
AUS	George Fischer Pty Ltd, 186-190 Kingsgrove Road, Kingsgrove NSW 2008, Tel. +61(0)2 95 54 39 77, Fax +61(0)2 95 02 25 61
B/L	Georg Fischer NV/SA, Digue du Canal 109-111 – Vaartdijk 109-111, 1070 Bruxelles/Brüssel, Tél. +32(0)2 556 40 20, Fax +32(0)2 524 34 26 e-mail: info.be@be.piping.georgfischer.com
BR	George Fischer Ltda, Av. das Nações Unidas 21689, 04795-100 São Paulo, Brasil, Tel. +55(0)11 5687 1311, Fax +55(0)11 5687 6009
CH	Georg Fischer Rohrleitungssysteme (Schweiz) AG, Ebnetstrasse 101, Postfach, 8201 Schaffhausen, Tel. +41(0)52 631 30 26, Fax +41(0)52 631 28 97 e-mail: info@rohrleitungssysteme.georgfischer.ch
CHINA	Georg Fischer Piping Systems Ltd Shanghai, No. 218 Kang Qiao Dong Rd., 201319 Pudong, Shanghai, Tel. +86(0)21 58 13 33 33, Fax +86(0)21 58 13 33 66 e-mail: info@cn.piping.georgfischer.com
D	Georg Fischer GmbH, Daimlerstraße 6, 73095 Albershausen, Tel. +49(0)7161 302 0, Fax +49(0)7161 302 111 e-mail: info@georgfischer.de, Internet: http://www.rls.georgfischer.de Georg Fischer DEKA GmbH, Kreuzstrasse 22, 35232 Dautphetal-Mornshausen, Tel. +49(0) 6468 915-0, Fax +49(0)6468 915 221/222 e-mail: info@dekapipe.de, Internet: http://www.dekapipe.de
DK/IS	Georg Fischer A/S, Rugvænget 30, 2630 Taastrup, Tel. +45 70 22 19 75, Fax +45 70 22 19 76 e-mail: info@dk.piping.georgfischer.com, Internet: http://www.georgfischer.dk
E	Georg Fischer S.A., Alcalá, 85, 2ª, 28009 Madrid, Tel. +34(0)91 781 98 90, Fax +34(0)91 426 08 23, e-mail: info@georgfischer.es
F	George Fischer S.A., 105-113, rue Charles Michels, 93208 Saint-Denis Cedex 1, Tél. +33(0)1 49 22 13 41, Fax +33(0)1 49 22 13 00, e-mail: info@georgefischer.fr
GB	George Fischer Sales Limited, Paradise Way, Coventry, CV2 2ST, Tel. +44(0)2476 535 535, Fax +44(0)2476 530 450 e-mail: info@georgefischer.co.uk, Internet: http://www.georgefischer.co.uk
GR	Georg Fischer S.p.A., Athens Branch, 101, 3rd September Str., 10434 Athen, Tel. +30(0)1 882 0491, Fax +30(0)1 881 0291, e-mail: dderiv_piping_gf@oneway.gr
I	Georg Fischer S.p.A., Via Sondrio 1, 20063 Cernusco S/N (MI), Tel. +3902 921 861, Fax +3902 921 86 24 7, e-mail: office@piping.georgfischer.it
ID	Georg Fischer Representative Office, c/o Wisma Aria, 3rd Floor, Jl. H.O.S. Cokroaminoto 81, Jakarta 10310, Indonesia, Tel. +62(0)21/391 48 62, Fax +62(0)21/391 48 63
IND	Georg Fischer Piping Systems Ltd, India Branch Office, Solitaire Corporate Park, 532, Building No. 5, 3rd Floor, Chakala, Ghatkopar Link Road, Andheri (E) 400 093 Mumbai, Tel. +91(0)22 820 2362, Fax +91(0)22 820 2462, e-mail: branchoffice@georgfischer.net
J	Georg Fischer Ltd, 2-47, Shikitsuhigashi 1-chome, Naniwa-ku, 556-8601 Osaka, Tel. +81(0)6 664 82 59 4, Fax +81(0)6 664 82 56 5, e-mail: info@georgfischer.jp
N	Georg Fischer AS, Rudsletta 97, 1351 Rud, Tel. +47(0)67 18 29 00, Fax +47(0)67 13 92 92, Internet: http://www.georgfischer.no
NL	Georg Fischer N.V., Postbus 35-8160, 8161 PA Epe, Tel. +31(0)578 678222, Fax +31(0)578 621768 e-mail: info.vgnl@nl.piping.georgfischer.com, Internet: http://www.georgfischer.nl
PL	Georg Fischer Sp. z o.o., Ul. Pryzmaty 4, 02-226 Warszawa, Tel. +48 (0)22 31 31 050, Fax +48(0)22 31 31 060, www.georgfischer.pl
RO	Georg Fischer Rohrleitungssysteme AG, Rep. Office Romania, 11 Barbu Delavrancea, 70000 Bucharest - Sector 1, Tel. +40(0)1 222 91 36, Fax +40(0)1 222 91 77 e-mail: office@georgfischer.ro
S/FIN	Georg Fischer AB, Box 113, 12523 Älvsjö-Stockholm, Tel. +46(0)8 506 77 500, Fax +46(0)8 749 23 70, e-mail: info@georgfischer.se, Internet: http://www.georgfischer.se
SGP	George Fischer Pte Ltd, 15 Kaki Bukit Road 2, KB Warehouse Complex, 417 845 Singapore, Tel. +65(0)7 47 06 11, Fax +65(0)7 47 05 77, e-mail: info@georgfischer.com.sg
USA*	George Fischer Inc., 2882 Dow Avenue, Tustin, CA 92780-7258, Tel. 1 (714) 731-8800, Toll Free (800) 854-4090, Fax 1 (714) 731-6201 e-mail: info@us.piping.georgfischer.com, Internet: http://www.us.piping.georgfischer.com *includes North, Central, and South America

+GF+ SIGNET

George Fischer Signet, Inc., 3401 Aerojet Avenue, El Monte, CA 91731-2882 U.S.A. • Tel. (626) 571-2770 • Fax (626) 573-2057

For Worldwide Sales and Service, visit our website: gfsignet.com • e-mail: info@gfsignet.com

Specifications subject to change without notice. All rights reserved. All corporate names and trademarks stated herein are the property of their respective companies.