

# +GF+ SIGNET 5700 pH/ORP ProPoint™ Monitor



(5700 shown here with pH display)

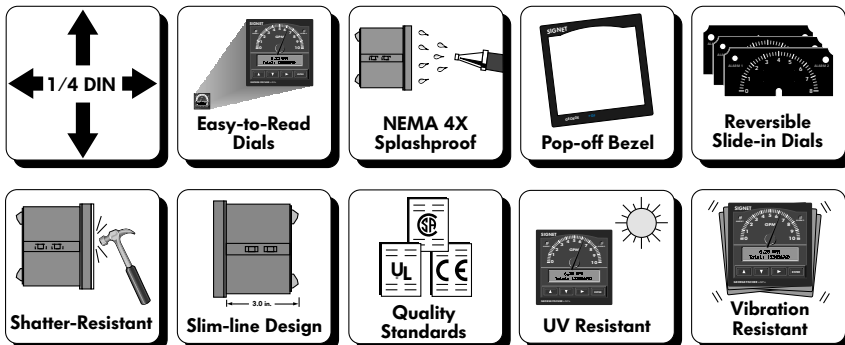
## Description

The +GF+ SIGNET 5700 pH/ORP Monitor is a versatile and intelligent instrument that recognizes the type of sensor connected, either +GF+ SIGNET pH or ORP Electrode, then automatically sets itself for the corresponding display and functionality. Also, during "Easy Cal" operation, the monitor automatically recognizes standard buffers/test solutions thereby shortening and simplifying routine calibration procedures. Two programmable relays and one scaleable 4 to 20 mA output are in-

cluded, and the four-button keypad arrangement with intuitive software design is very user-friendly. The monitors require 12 to 24 Volts, AC or DC, and can be used with the +GF+ SIGNET 2720 pH/ORP Preamplifier and Sensor system, or with sensors from other manufacturers by using the 2721 Preamplifier. Several useful accessories are available, including the optional Rear Cover Kit used to extend the NEMA 4X/IP65 integrity of the front panel to the entire enclosure.

## Technical Features

### Pro-Point Family Features



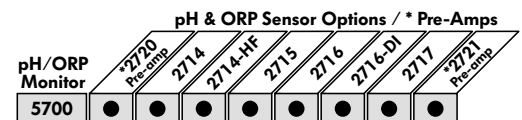
## Features

- Simultaneous pH and Temperature Display
- Simultaneous ORP (calibrated) and Input (raw) mV Display
- Scaleable 4 to 20 mA Output
- Two Programmable Relays
- Dual Proportional Control Capability
- Temperature Compensation
- Automatic Sensor Recognition
- "Easy-Cal" Simplifies Routine Calibration
- Analog and Digital Display
- Backlit LCD
- Simple Push-button Operation
- Intuitive Software Design
- Non-volatile Memory
- Versatile Low Voltage Power Requirement

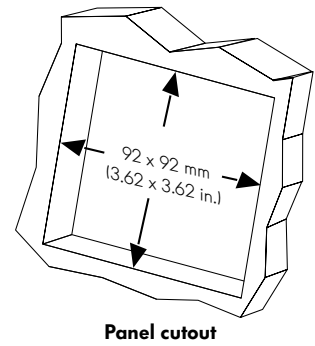
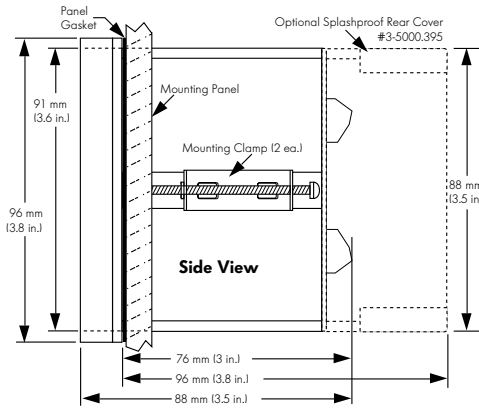
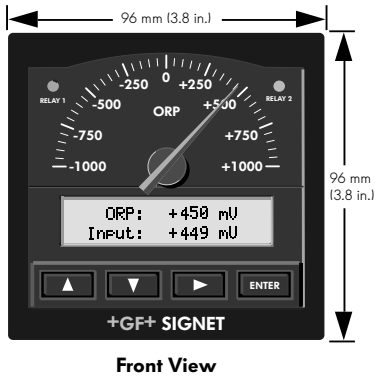
## Application

- Water & Wastewater Treatment
- Neutralization
- Scrubber Control
- Effluent Monitoring
- Surface Finishing
- Heavy Metal Removal and Recovery
- Toxics Destruction
- Sanitization Systems
- Commercial Pools & Spas
- Aquatic Animal Life Support Systems
- Process Control

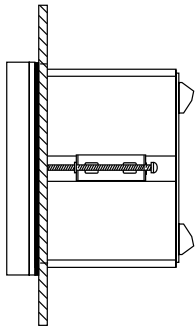
## Options



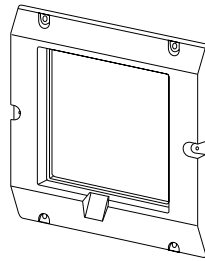
# Dimensions



# Installation

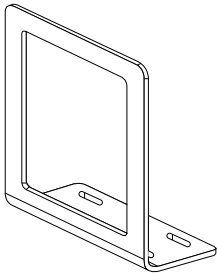


- Panel mount (standard)

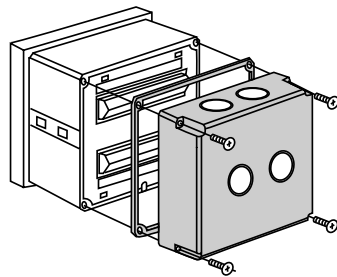


- Optional 5 x 5 inch adapter plate for SIGNET retrofit (3-5000.399)

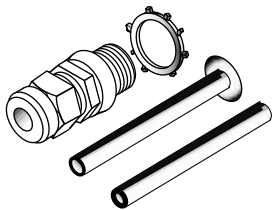
- The front panel provides NEMA 4X splashproof protection
- Standard 1/4 DIN panel cutout
- 76mm (3 in.) mounting depth including rear terminals
- Optional splashproof rear cover kit with knockout ports for cable access.
- 96 mm (3.8 in.) mounting depth with optional splashproof rear cover installed
- Up to 120 m (400 ft.) max. cable length between sensor and instrument.



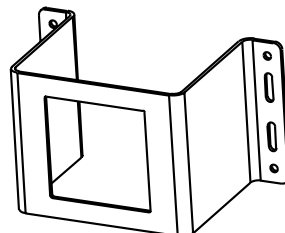
- Optional surface mounting bracket (3-5000.598)



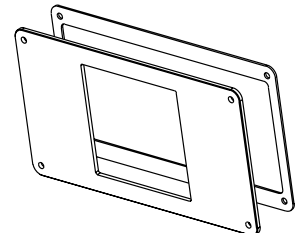
- Optional splashproof rear cover kit (3-5000.395)



- Liquid-tight Connector Kit - 3 sets (3-9000.392)

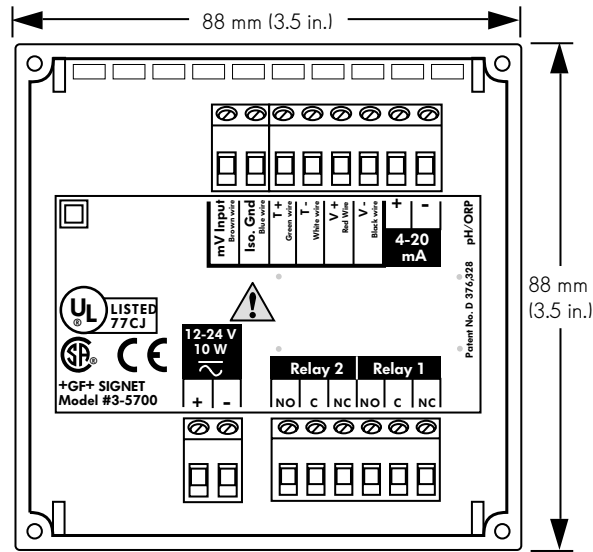


- Optional heavy duty wall mount bracket (3-0000.596)



- Optional 200 retrofit adapter (3-8050.392)

## Rear Terminal View



Rear View

## Technical Data

### General

Operating Range:	pH: 0 to 14, optically isolated Temp: -25 to 120°C (-13 to 248 °F) ORP: -1,000 to +2,000 mV, optically isolated
Power Requirements:	12 to 24 Volts, AC or DC, unregulated, 50 to 60 Hz, 10W max.
Display:	Analog: Reversible dial: 0 to 14 pH or ± 1000 mV Digital: Backlit LCD, 2x16 alphanumeric character
Current Output:	4 to 20 mA, non-isolated, internally powered Loop impedance: 350Ω max. @ 12V, 950Ω max. @ 24V Accuracy: ± 0.1%
Alarm Contacts:	Two SPDT relays: 5A @ 30VDC, 5A @ 125VAC, or 3A @ 250VAC max. High/Low/Pulse programmable with adjustable hysteresis Dual Proportional Control Capability, MAX pulse rate 300 pulses/min.
Accuracy:	± 0.2% of scale
Materials:	Enclosure: ABS Plastic, NEMA 4X/IP65 Keypad: Silicone Rubber Panel and case gasket: Neoprene Window: Hard-coated polycarbonate
Immunity:	EN50082-1
Emissions:	EN55011
Safety:	EN61010-1

### Environmental

Operating temperature:	-10 to 55°C (14 to 131°F)
Relative humidity:	0 to 95%, non-condensing

### Standards and Approvals

- CE, CSA, UL
- Manufactured under ISO 9001

## Description

### Mfr. Part No.

3-5700

### Code

198 825 003

### Description

+GF+ SIGNET 5700 pH/ORP Monitor  
• Reversible pH/ORP dial face included  
[0 to 14 pH or -1000 to +1000 mV]

## Accessories

### Mfr. Part No.

3-5000.395

3-9000.392

3-5000.399

3-5000.598

3-8050.392

3-0000.596

3-5000.390

3-5000.397

3-5000.525-1

3-0700.390

3-5000.398

3-8050.396

### Code

198 840 227

159 000 368

198 840 224

198 840 225

159 000 640

159 000 641

159 000 323

159 000 326

159 000 328

198 864 403

159 000 646

159 000 617

### Description

Splashproof rear cover kit

Liquid-tight connector kit for rear cover (includes 3 connectors)

5 x 5 inch adapter plate for +GF+ Signet retrofit

Surface mount bracket

Model 200 retrofit adapter

Heavy duty wall mount bracket

Installation kit

5000 series window kit

Bezel, 5000 series

pH Buffer kit

Protective Overlay kit (10 pcs)

RC Filter Kit (for relay use)

## Engineering Specifications

- The pH monitor shall meet appropriate CSA, UL and CE standards, including EN50082-1 requirements for electromagnetic immunity, EN55011 requirements for electromagnetic emissions, and EN61010-1 for safety.
- The ORP monitor shall meet appropriate CSA, UL and CE standards, including EN50082-1 requirements for electromagnetic immunity, EN55011 requirements for electromagnetic emissions, and EN61010-1 for safety.
- The pH/ORP monitor shall be manufactured under ISO 9001 certified processes.
- The pH/ORP monitor front panel shall be sealed to NEMA 4X/IP65 requirements.
- The pH/ORP monitor shall automatically adjust to signal inputs from compatible pH sensors and preamplifiers.
- The pH monitor shall provide automatic temperature compensation from -10°C to +100°C.
- The pH/ORP monitor shall provide 500 VDC input circuit isolation.
- The pH/ORP monitor shall provide calibration capabilities including buffer recognition and automatic or manual calibration.
- The pH/ORP monitor shall be programmable with front panel keys for calibration, to set relay functions, and to select display functions.
- The pH monitor shall provide an analog indicator with a reversible dial face to display pH from 0 to 14. Analog display accuracy shall be  $\pm 1\%$  of digital reading.
- The ORP monitor shall provide an analog indicator with a reversible dial face to display ORP from -1,000 to +1,000 mVs. Analog display accuracy shall be  $\pm 1\%$  of digital reading.
- The pH/ORP monitor shall also provide a backlit 2-line x 16-character alphanumeric LCD display.
- The pH/ORP monitor shall provide a 4 to 20 mA non-isolated, internally powered two-wire current loop output.
- The pH/ORP monitor shall provide two SPDT relays.
- The pH/ORP monitor shall be compatible with the +GF+ SIGNET 2720 pH/ORP Preamplifier and Sensor system.
- The pH/ORP monitor shall be +GF+ SIGNET, Model 5700 pH/ORP Monitor.